

DINFIR3

Locks for fire and exit route doors
compliant with DIN 18251 - EN 12209
panic KIT EN1125 - EN179

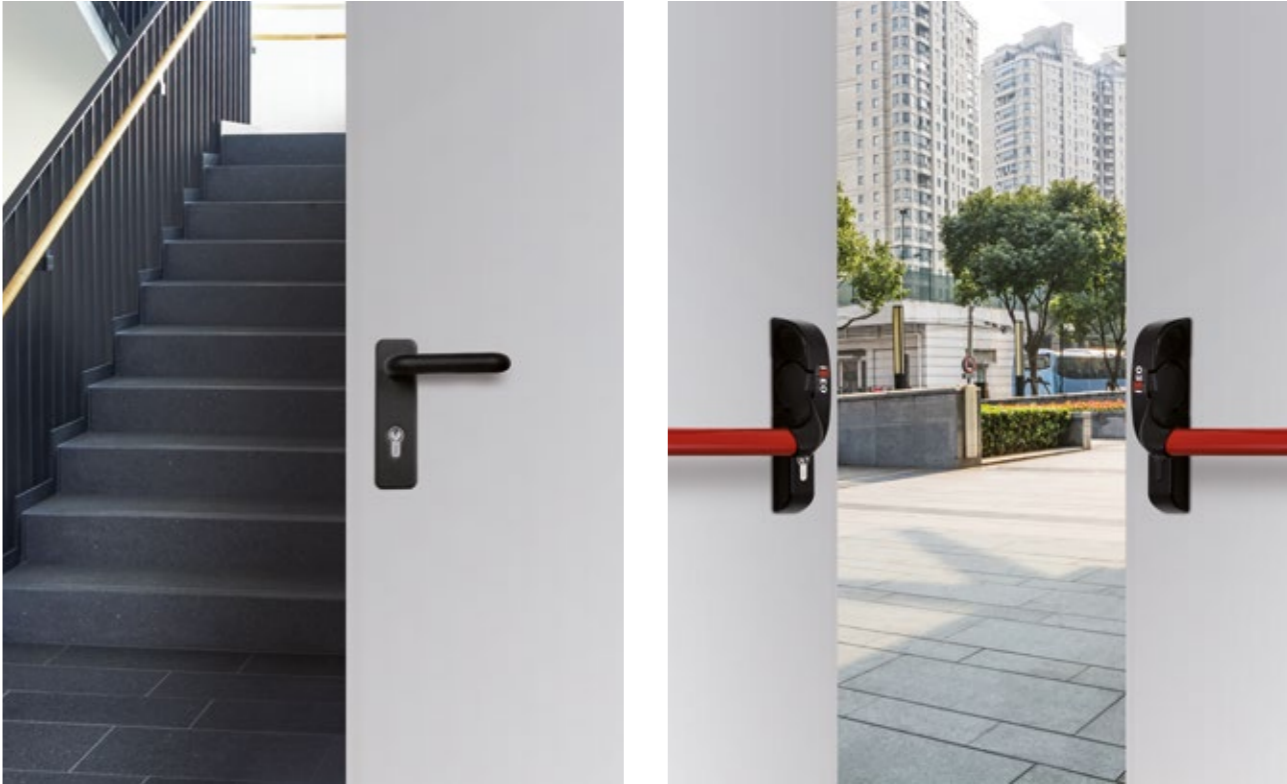


DINFIR3

ISEO Ultimate Access Technologies presents **DINFIR3**, a complete and versatile range of locks designed for fire-rated and panic doors.

Designed to guarantee maximum security and freedom of movement in both everyday and emergency scenarios, all DINFIR3 locks are made of **solid and reliable materials**; this feature ensures that the user not only benefits from the high security standards of the doorway in which they are installed, but also of **flexibility of use and excellent performance in every application**.

The DINFIR3 range offers a **wide choice of models** which meet the needs of various installation contexts and environments.



Locks for fire-rated doors

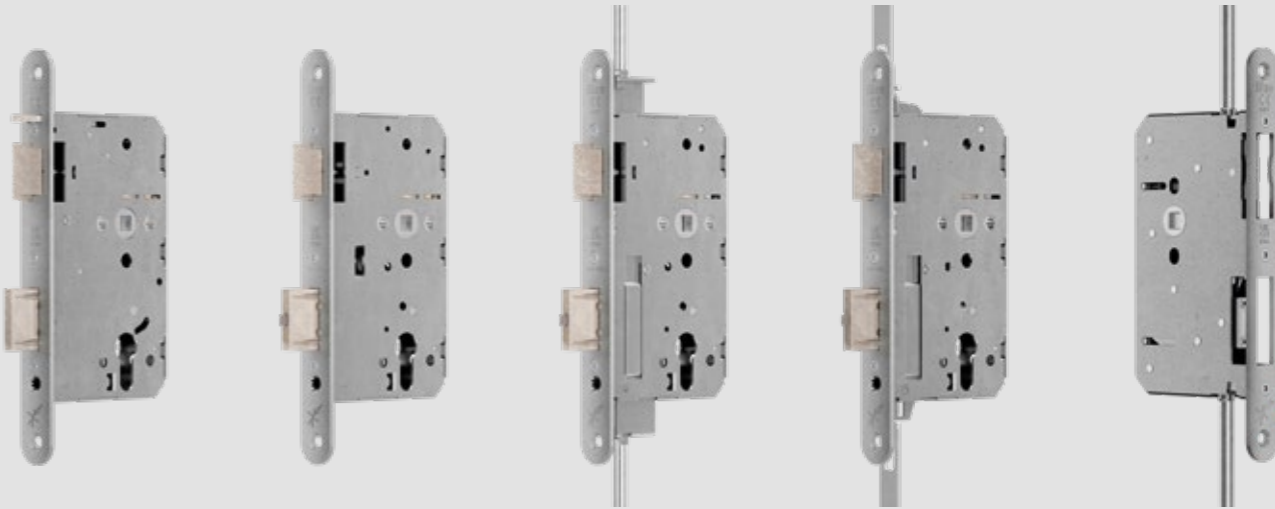


DOUBLE THROWS LOCK

MULTIPOINT LOCK WITH DEVIATORS

FLUSH BOLT

Panic locks for fire-rated doors



SELF-LOCKING LOCK

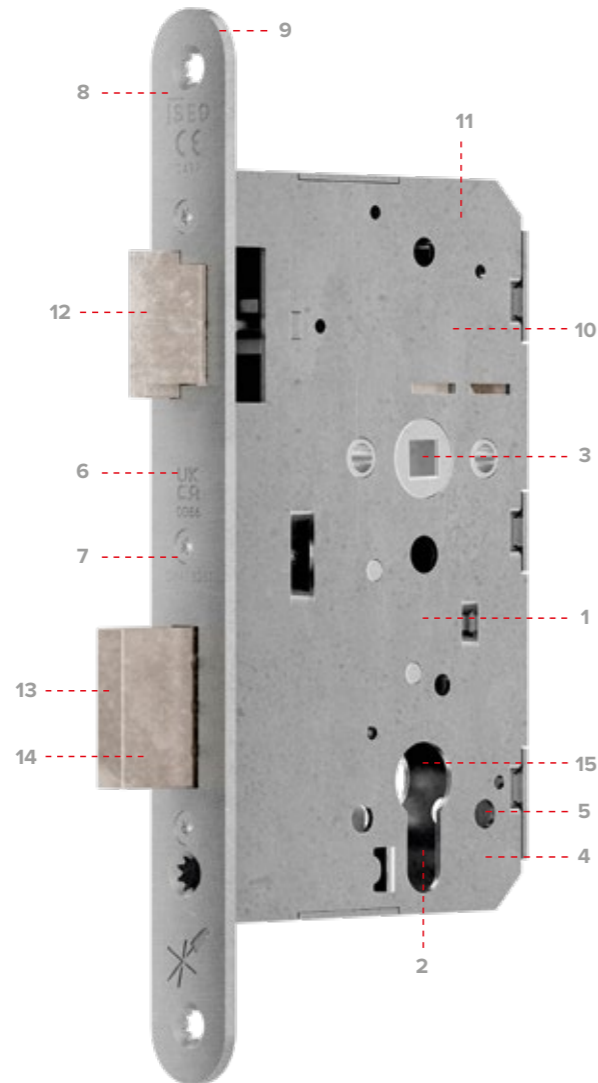
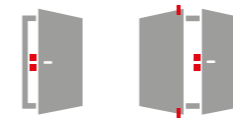
SINGLE POINT LOCK

MULTIPOINT LOCK WITH RODS

MULTIPOINT LOCK WITH DEVIATORS

COUNTER LOCK

DINFIR3 Fire-rated lock with double throws

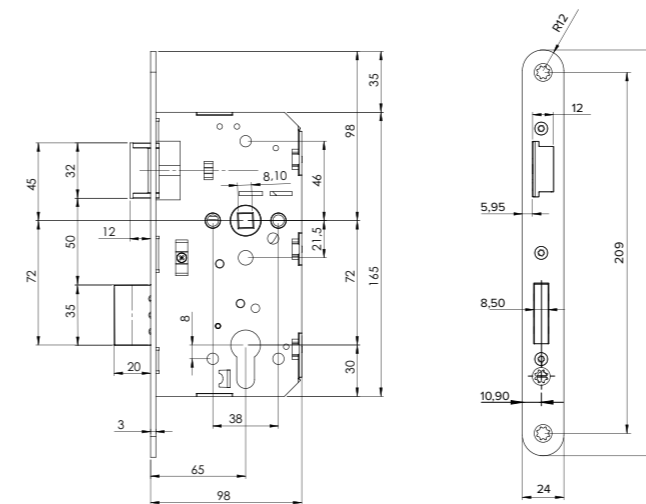


Functioning

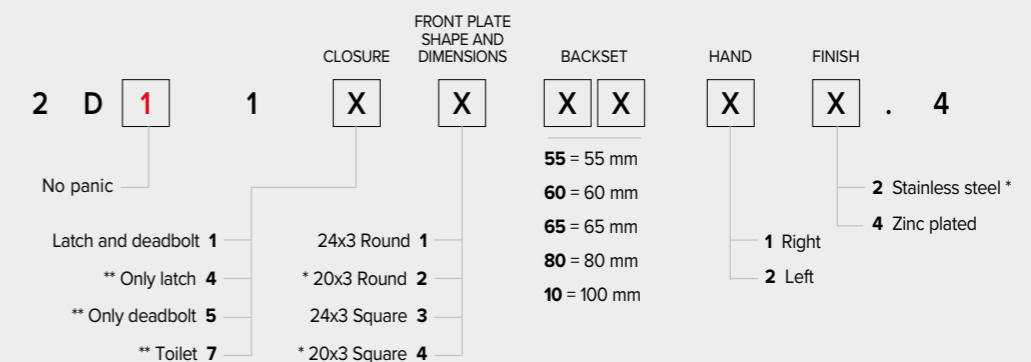
INTERNAL/EXTERNAL

- The key operates the deadbolt and retracts the latch
- The handle retracts the latch

Technical drawing



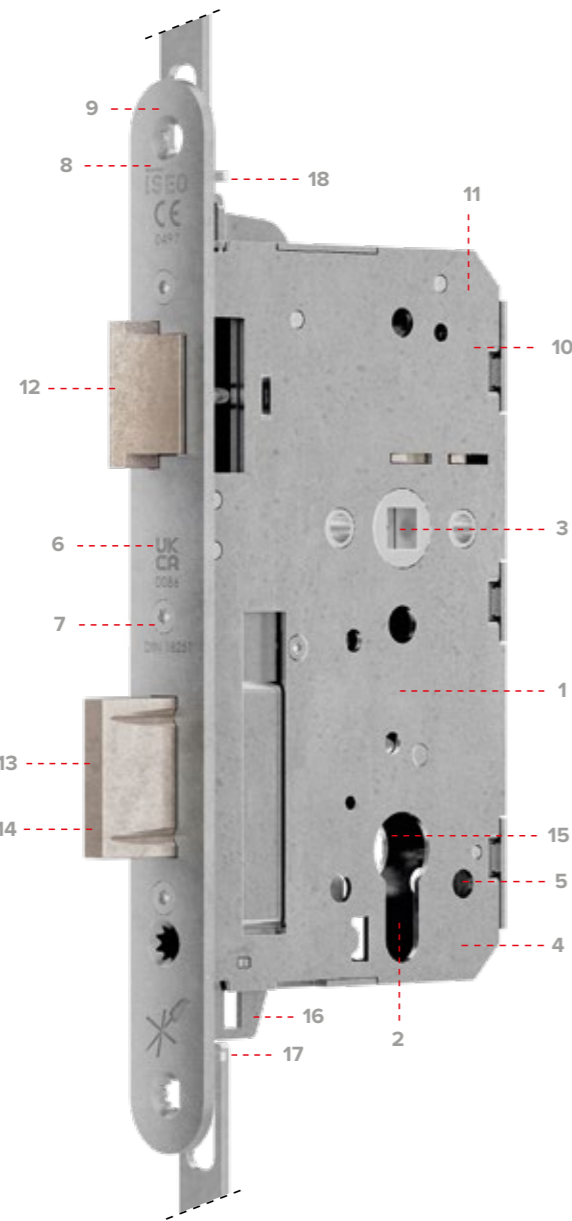
- | | |
|--|--|
| <p>1 Centre distance 72 mm</p> <p>2 Backset 65 mm (option 55, 60, 80, 100 mm)</p> <p>3 Handle Follower 9 mm Rotation 23° in sintered steel</p> <p>4 Lock case and cover interlocking at the 3 coupling points with the front plate, make the lock extremely resistant</p> <p>5 Through-holes for rosette application, escutcheons and handle plates</p> <p>6 Zinc plated steel front plate (also available in stainless steel)</p> <p>7 Front plate can be unscrewed to change finishes of for maintenance purposes</p> | <p>8 24x3 mm front plate (also available 20x3 mm)</p> <p>9 Round edges front plate (also available in square)</p> <p>10 Lock case and cover in zinc plated steel</p> <p>11 Lock case sealed on all sides</p> <p>12 Nickel plated sintered steel latch</p> <p>13 Nickel plated zamak deadbolt</p> <p>14 Double throws 20 mm (10 + 10) deadbolt</p> <p>15 Compatible with euro profile cylinder with DIN cam</p> |
|--|--|



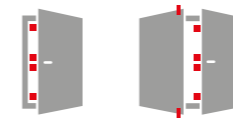
* Versions on request
** Versions on request 65 mm backset only

COMPLIANT TO THE STANDARDS DIN 18251 - EN 12209

DINFIR3 Fire-rated multipoint lock with deviators



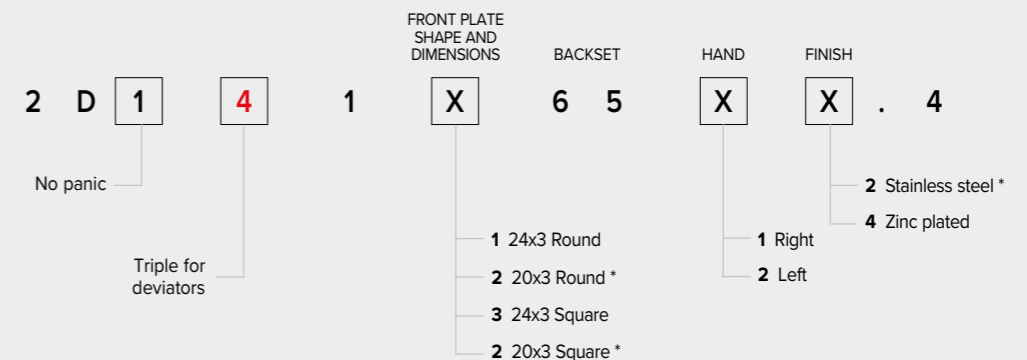
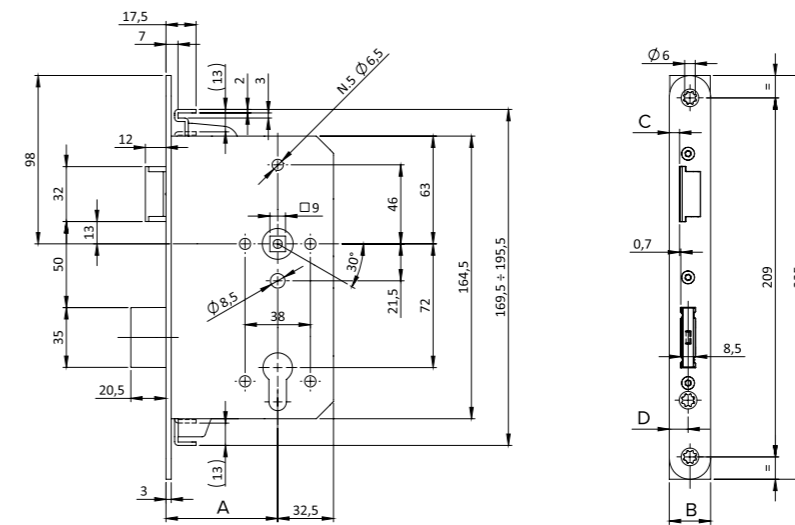
- | | |
|---|---|
| <p>1 Centre distance 72 mm</p> <p>2 Backset 65 mm</p> <p>3 Handle Follower 9 mm; 30° rotation in sintered steel</p> <p>4 Lock case and cover interlocking at the 3 coupling points with the front plate, make the lock extremely resistant</p> <p>5 Through-holes for rosette application, escutcheons and handle plates</p> <p>6 Zinc plated steel front plate (also available in stainless steel)</p> <p>7 Front plate can be unscrewed to change finishes or for maintenance purposes</p> <p>8 24x3 mm front plate (also available 20x3 mm)</p> <p>9 Round edges front plate (also available in square)</p> | <p>10 Lock case and cover in zinc plated steel</p> <p>11 Lock case sealed on all sides</p> <p>12 Nickel plated sintered steel latch</p> <p>13 Nickel plated zamak deadbolt</p> <p>14 Single throw 20 mm deadbolt</p> <p>15 Compatible with euro profile cylinder with DIN cam</p> <p>16 Multipoint lock with deviators: for doors up to 2.100 mm (rods 668/668 mm) or doors up to 2.500 mm (rods 668/918 mm)</p> <p>17 Rods projection 13 mm</p> <p>18 Hook rod coupling</p> |
|---|---|



Functioning

- The key operates the bolt and recalls the latches
- Latches of top and bottom deviators are retracted when the latch of central lock is retracted: vice versa, they are released when the latch of the central lock is released

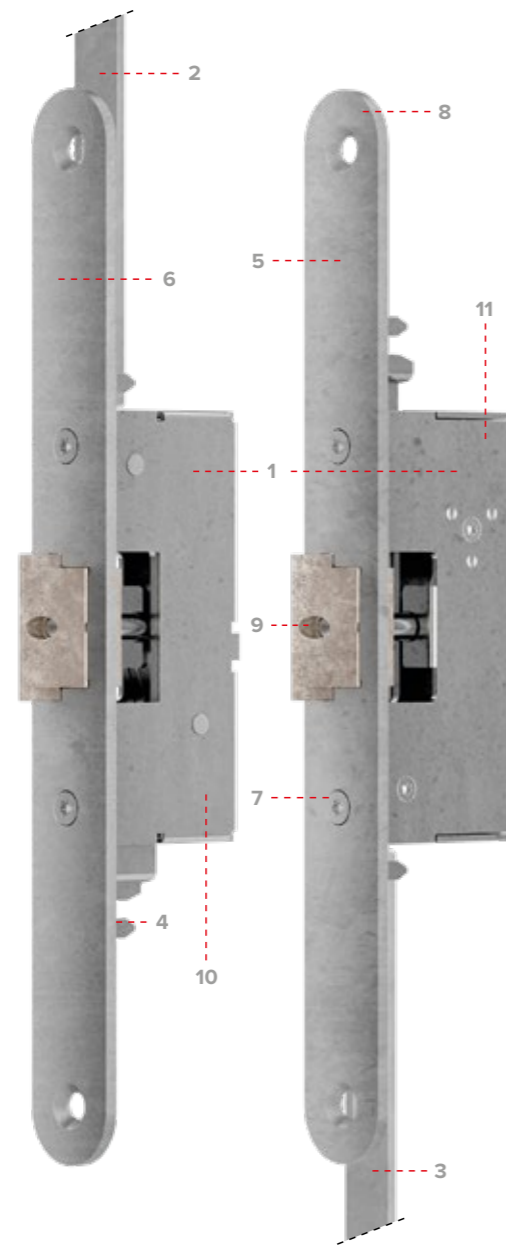
Technical drawing



* Versions on request

COMPLIANT TO THE STANDARDS DIN 18251 - EN 12209

DINFIR3 Deviators

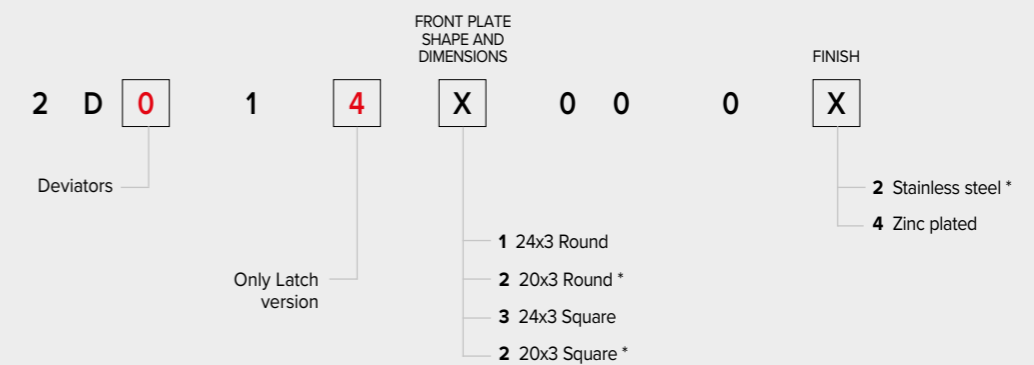
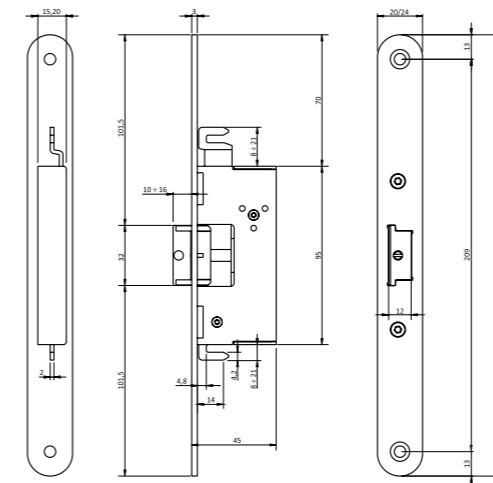


- 1** Pair of no-handed deviators
- 2** Rods projection 13 mm
- 3** Rods with different lengths (668/668 mm and 918/668 mm)
- 4** Hook rod coupling
- 5** 24x3 mm front plate (also available in 20x3 mm)
- 6** Zinc plated steel front plate (also available in stainless steel)
- 7** Front plate can be unscrewed to change finishes or for maintenance purposes
- 8** Round edge front plate (also available in square)
- 9** Latch projection: adjustable from 10 up to 16 mm
- 10** Lock case and cover in zinc plated steel
- 11** Lock case sealed on all side

Functioning

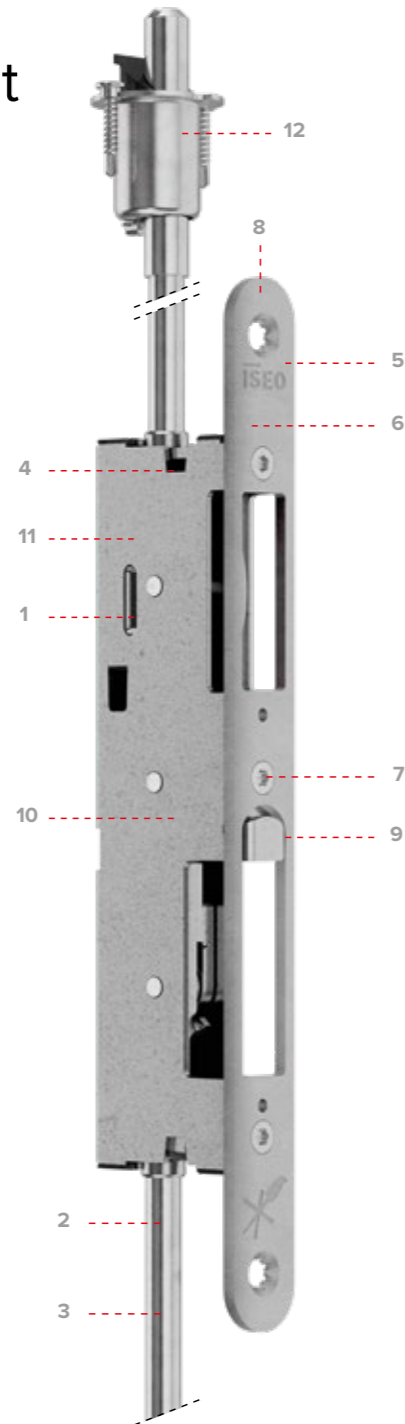
- Pair of reversible deviators that can be combined with DINFIR3 triple fire and panic locks
- The latches of the deviators are recalled together with the retraction of the latch of the central lock, using the key or the handle

Technical drawing

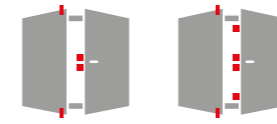


* Versions on request

DINFIR3 Flush Bolt



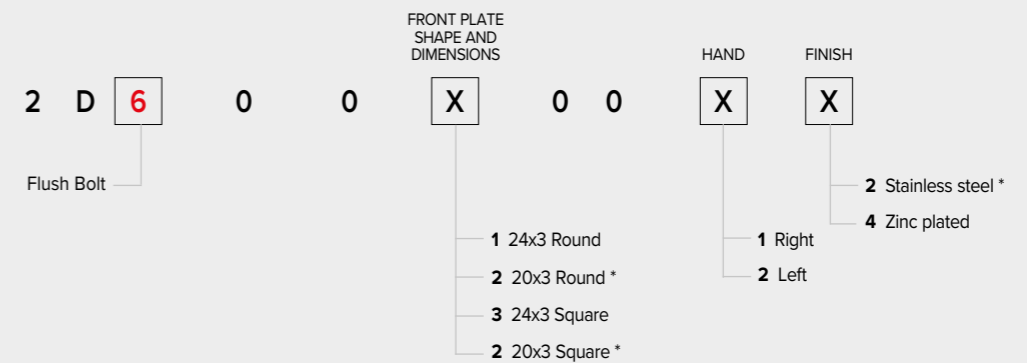
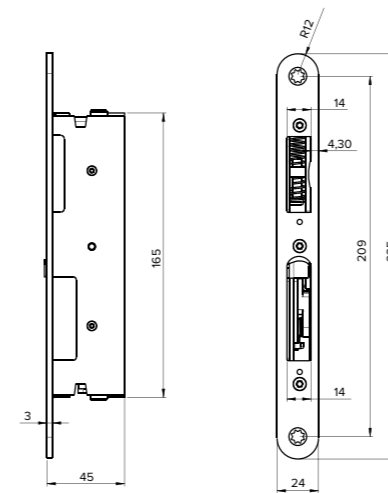
- | | |
|---|--|
| <ul style="list-style-type: none"> 1 Rods with self-locking system 2 Rods projection 18 mm 3 Rods with 30 mm shaft 4 M6 threaded coupling 5 24x3 mm front plate (also available in 20x3 mm) 6 Zinc plated steel front plate (also available in stainless steel) 7 Front plate can be unscrewed to change finishes or for maintenance purposes | <ul style="list-style-type: none"> 8 Round front plate (also available in square) 9 Zinc plated steel manual lever 10 Lock case and cover in zinc plated steel 11 Lock case sealed on all side 12 Rods relatching device |
|---|--|



Functioning

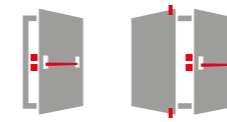
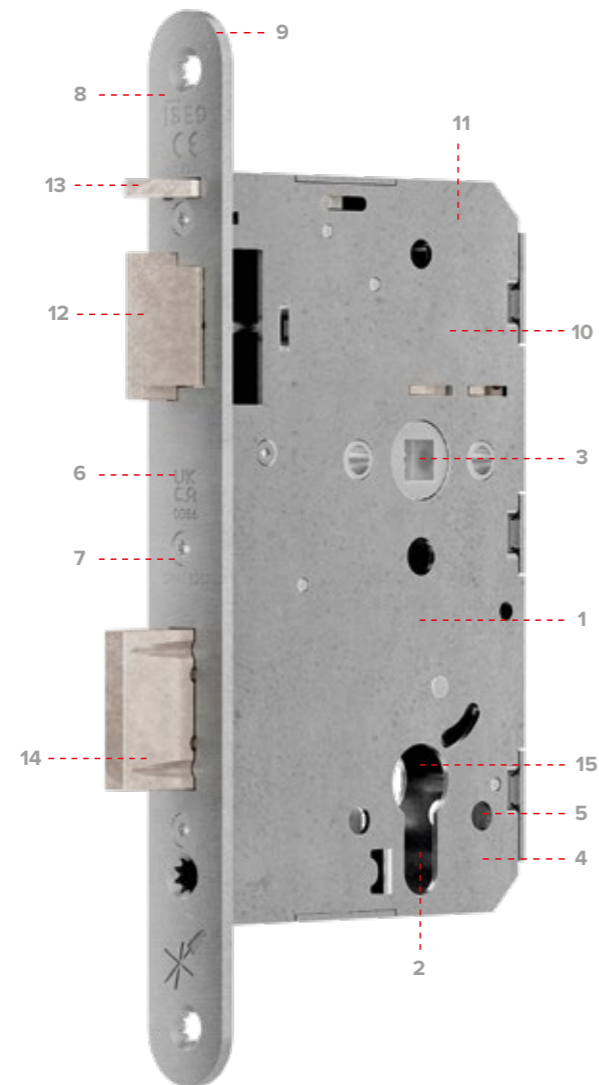
- The Flush Bolt is accessed after opening the main door leaf
- The manual lever is used to retract the rods and open the semi-fixed leaf
- The relatching device installed at the top keeps the rods retracted until the door is closed again
- As the door is closing, the relatching device releases the rods and automatically closes the door
- Locking the rods relatching device in the non-armoured position using the rods lock accessory

Technical drawing



* Versions on request

DINFIR3 Panic fire-rated self-locking lock



Functioning

- When the leaf is approached, the deadbolt of the lock is automatically engaged

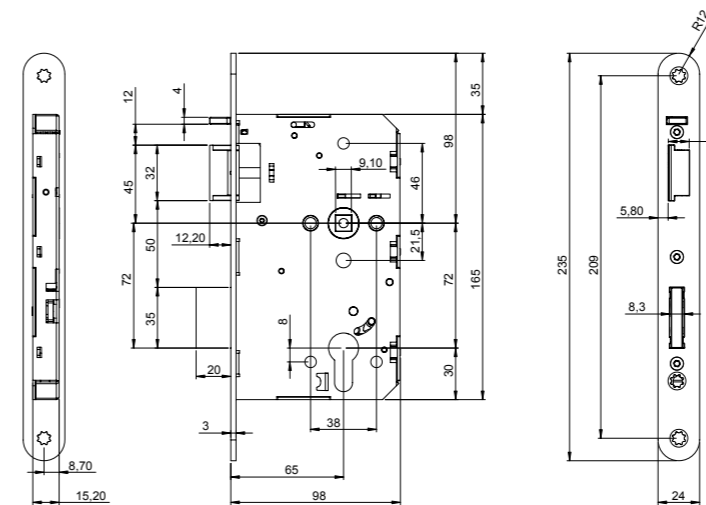
INTERNAL

- The key operates the external handle (function B) and retracts the latch and deadbolt (only with function E)
- The panic bar and/or emergency handle always retract the latch and deadbolt

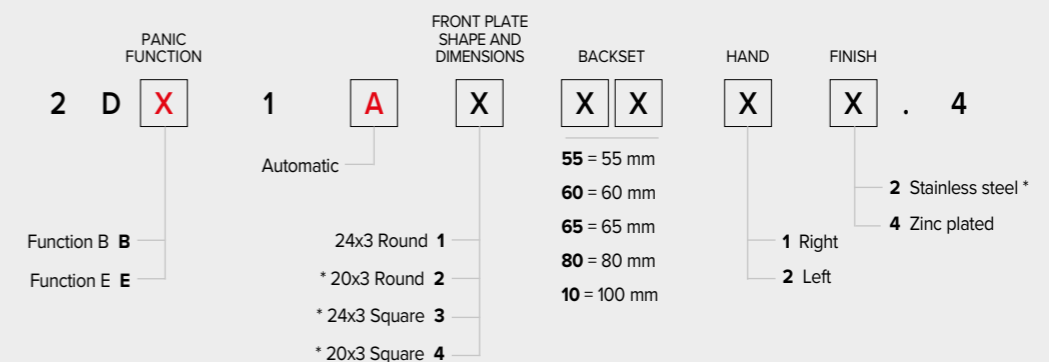
EXTERNAL

- The key retracts the latch and deadbolt (function E)
- The key enables/disables the handle that retracts the latch and deadbolt (function B)

Technical drawing



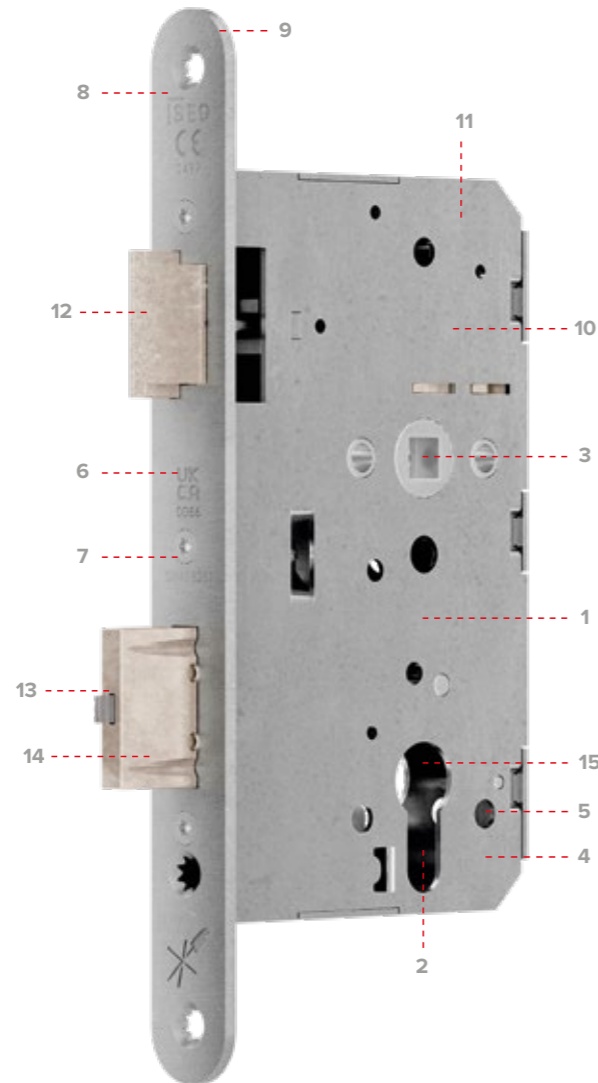
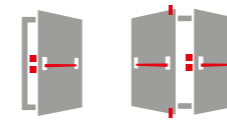
- | | |
|---|---|
| <p>1 Centre distance 72 mm</p> <p>2 Backset 55, 65, 60, 80, 100 mm</p> <p>3 Square spindle 9 mm; 30° rotation in sintered steel; Square spindle or latchbolt: anti-panic function (B, E)</p> <p>4 Lock case and cover interlocking at the 3 coupling points with the front plate, rendering the lock extremely resistant</p> <p>5 Through-holes for rosette application, escutcheons and handle plates</p> <p>6 Zinc plated steel front plate (also available in stainless steel)</p> <p>7 Front plate can be unscrewed to change finishes of for maintenance purposes</p> | <p>8 24x3 mm front plate (also available in 20x3 mm)</p> <p>9 Round front plate (also available in square)</p> <p>10 Lock case and cover in zinc plated steel</p> <p>11 Lock case sealed on all sides</p> <p>12 Nickel plate zamak deadbolt</p> <p>13 Zamak NK automatic trigger</p> <p>14 Self-locking deadbolt with excursion of 20 mm</p> <p>15 Compatible with cylinder hole for euro profile cylinder with DIN cam</p> |
|---|---|



COMPLIANT WITH STANDARDS DIN18251 - EN 12209 - EN179 - EN1125
(in Kit with ISEO operating elements and components)

* Versions on request

DINFIR3 Panic fire-rated single point lock



Functioning

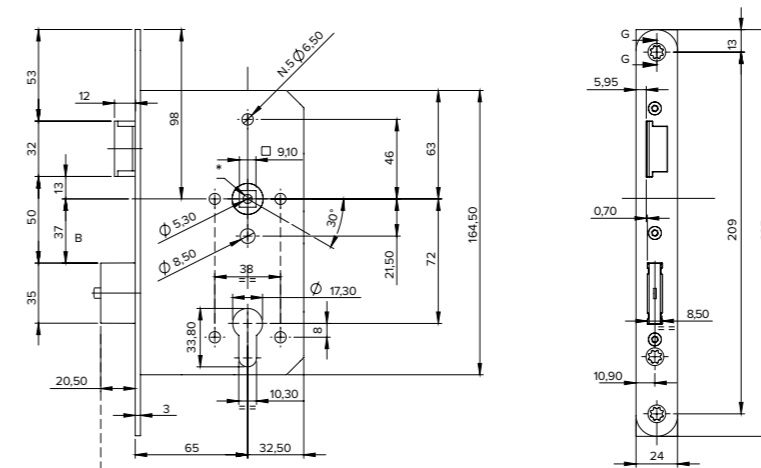
INTERNAL

- The key operates the deadbolt (function B, C, D and E) and retracts the latch (only with function E)
- The panic bar and/or emergency handle always retract the latch and deadbolt

EXTERNAL

- The key operates the deadbolt and retracts the latch (function E)
- The key operates the deadbolt and enables the handle (functions B, C and D)
- The handle retracts the latch (functions B, C, and D)

Technical drawing



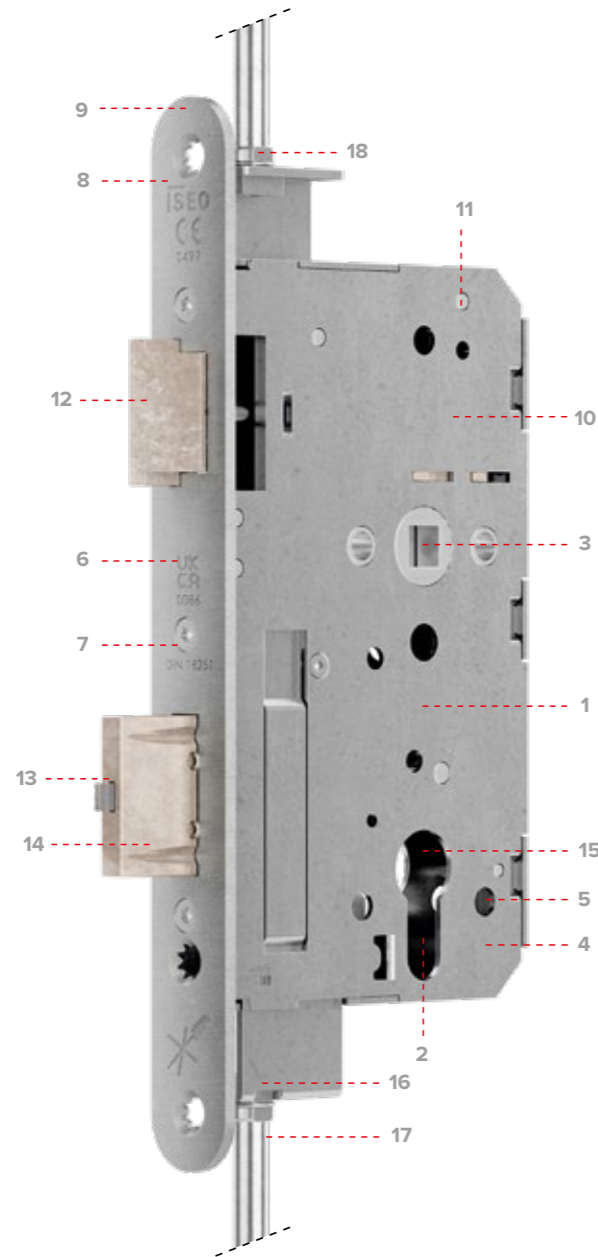
- | | |
|--|--|
| <p>1 Centre distance 72 mm</p> <p>2 Backset 65 mm
• 1 leaf door option 55, 60, 80, 100 mm
• 2-leaves option 80, 100 mm</p> <p>3 Square spindle 9 mm; 30° rotation in sintered steel; Square spindle or latchbolt: anti-panic function (B, D, E, C optional)</p> <p>4 Lock case and cover interlocking at the 3 coupling points with the front plate, rendering the lock extremely resistant</p> <p>5 Through-holes for rosette application, escutcheons and handle plates</p> <p>6 Zinc plated steel front plate (also available in stainless steel)</p> <p>7 Front plate can be unscrewed to change finishes of for maintenance purposes</p> | <p>8 24x3 mm front plate (also available in 20x3 mm)</p> <p>9 Round front plate (also available in square)</p> <p>10 Lock case and cover in zinc plated steel</p> <p>11 Lock case sealed on all sides</p> <p>12 Nickel plate sintered steel latch; latch reversal option for inward door opening (emergency door EN179)</p> <p>13 Nickel plate zamak deadbolt</p> <p>14 Single throw 20 mm deadbolt (deadbolt option for 2-leaves door locks)</p> <p>15 Compatible with cylinder hole for euro profile cylinder with DIN cam</p> |
|--|--|

PANIC FUNCTION	LEAF	FRONT PLATE SHAPE AND DIMENSIONS	BACKSET	HAND	FINISH
2 D X	1 X	X	X X	X	X . 4
Function B B	Single leaf 1	24x3 Round 1	55 = 55 mm **	1 Right 2 Left	2 Stainless steel * 4 Zinc plated
* Function C C	Double leaf 2	* 20x3 Round 2	60 = 60 mm **		
Function D D		* 24x3 Square 3	65 = 65 mm		
Function E E		* 20x3 Square 4	80 = 80 mm		
			10 = 100 mm		

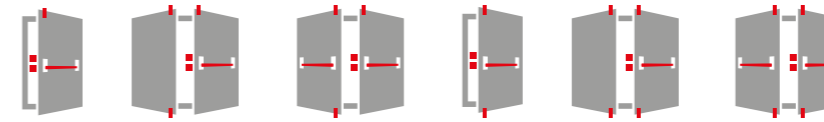
* Versions on request
** Only for single leaf versions

COMPLIANT WITH STANDARDS DIN18251 - EN 12209 - EN179 - EN1125 (in Kit with ISEO operating elements and components)

DINFIR3 Panic fire-rated multipoint lock with rods



- | | |
|---|--|
| <p>1 Centre distance 72 mm</p> <p>2 Backset 65 mm
• 1 leaf door option 80, 100 mm
• 2-leaves option 80, 100 mm</p> <p>3 Square spindle 9 mm; 30° rotation in sintered steel; Square spindle or latchbolt: anti-panic function (B, D, E, C optional)</p> <p>4 Lock case and cover interlocking at the 3 coupling points with the front plate, rendering the lock extremely resistant</p> <p>5 Through-holes for rosette application, escutcheons and handle plates</p> <p>6 Zinc plated steel front plate (also available in stainless steel)</p> <p>7 Front plate can be unscrewed to change finishes or for maintenance purposes</p> <p>8 24x3 mm front plate (also available 20x3 mm)</p> | <p>9 Round front plate (also available in square)</p> <p>10 Lock case and cover in zinc plated steel</p> <p>11 Lock case sealed on all sides</p> <p>12 Nickel plate sintered steel latch</p> <p>13 Nickel plate zamak deadbolt</p> <p>14 Single throw 20 mm deadbolt (deadbolt option for 2-leaves door locks)</p> <p>15 Compatible with euro profile cylinder with DIN cam</p> <p>16 2-point lock: rods with 30, 45, 65 mm shaft, respectively for 65, 80, 100 mm backset
3-point lock: rods with 19.5 mm or 25.5 mm (optional)</p> <p>17 Rods projection 13 mm</p> <p>18 M6 rod connection</p> |
|---|--|

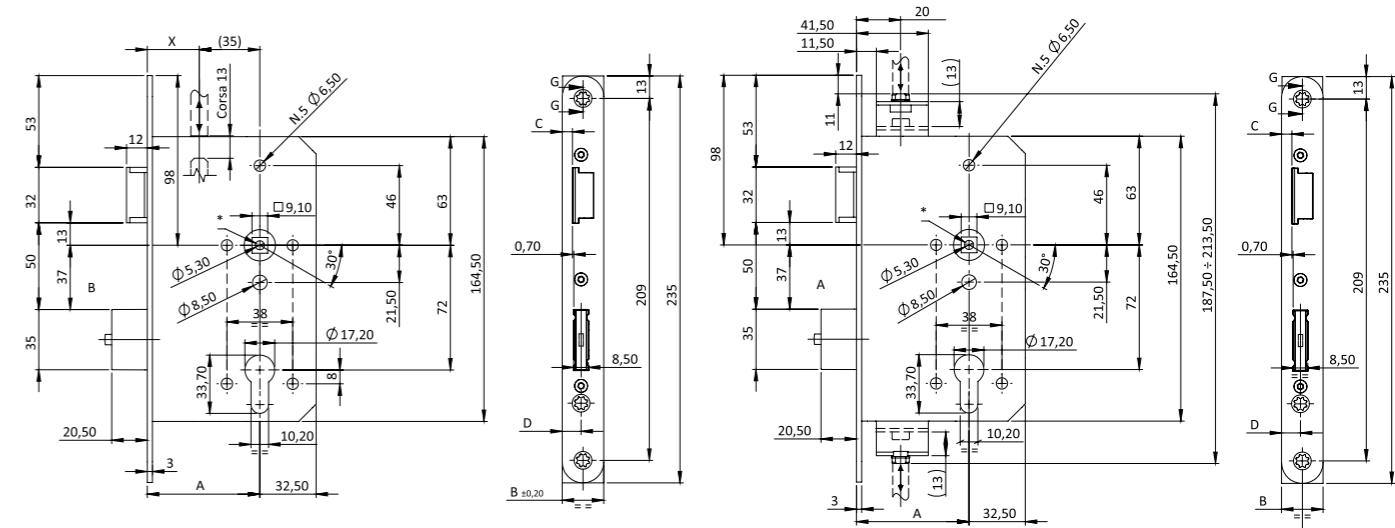


Functioning

OPERATION OF THE RODS

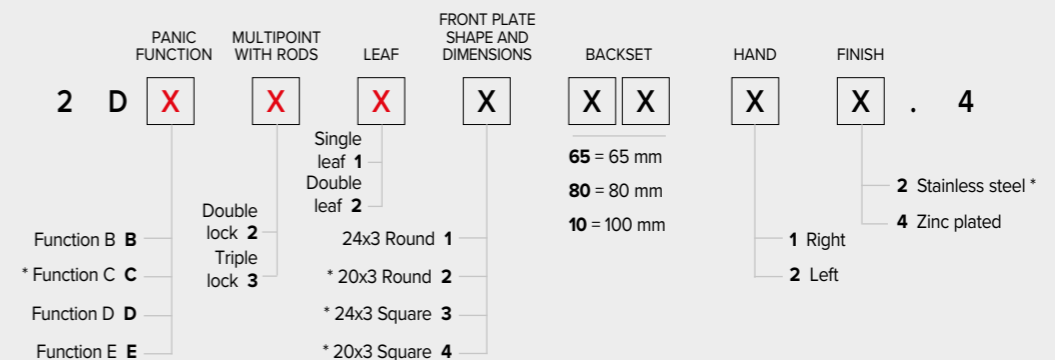
- The latch and rods have a direct connection. Both the upper and lower rod are retracted when the latch is retracted; vice versa, they are released when the latch is released

Technical drawing



double lock for rods

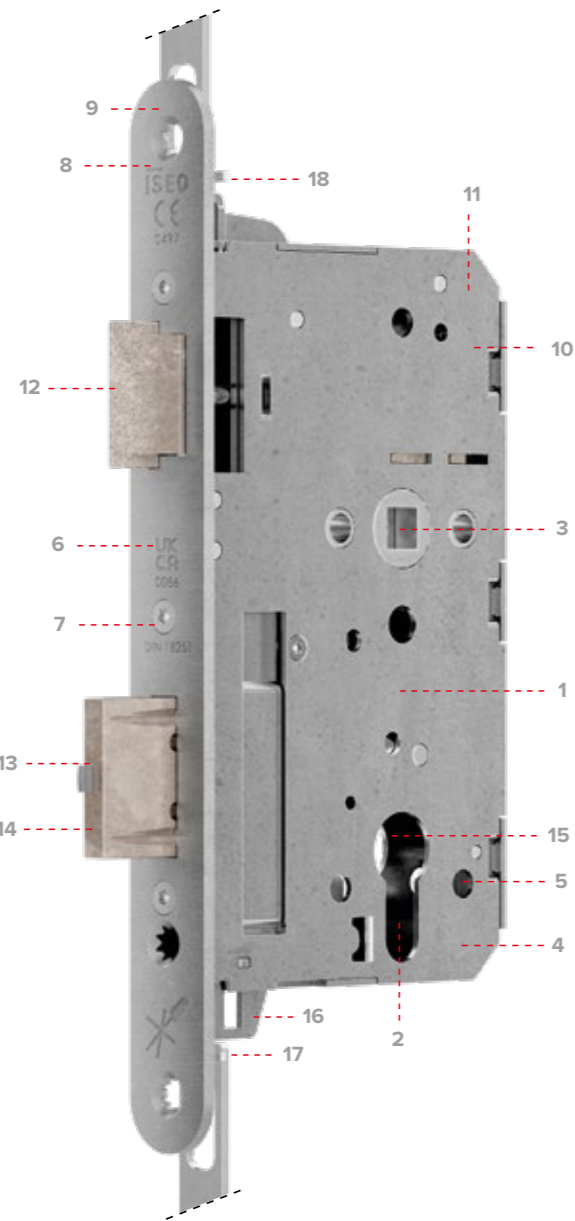
triple lock for rods



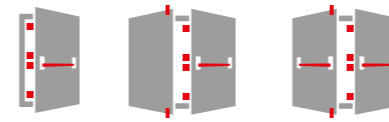
COMPLIANT WITH STANDARDS DIN18251 - EN 12209 - EN179 - EN1125
(in Kit with ISEO operating elements and components)

* Versions on request

DINFIR3 Panic fire-rated multipoint lock with deviators



- | | |
|---|---|
| <p>1 Centre distance 72 mm</p> <p>2 Backset 65 mm</p> <p>3 Square spindle 9 mm; 30° rotation in sintered steel; Square spindle or latchbolt: anti-panic function (B, D, E, C optional)</p> <p>4 Lock case and cover interlocking at the 3 coupling points with the front plate, rendering the lock extremely resistant</p> <p>5 Through-holes for rosette application, escutcheons and handle plates</p> <p>6 Zinc plated steel front plate (also available in stainless steel)</p> <p>7 Front plate can be unscrewed to change finishes of for maintenance purposes</p> <p>8 24x3 mm front plate (also available 20x3 mm)</p> <p>9 Round front plate (also available in square)</p> | <p>10 Lock case and cover in zinc plated steel</p> <p>11 Lock case sealed on all sides</p> <p>12 Nickel plate sintered steel latch</p> <p>13 Nickel plate zamak deadbolt</p> <p>14 Single throw 20 mm deadbolt</p> <p>15 Compatible with cylinder hole for euro profile cylinder with DIN cam</p> <p>16 Triple lock with deviators: for doors up to 2.100 mm (rods 668/668 mm) or doors up to 2.500 mm (rods 668/918 mm). For deviators check page 8</p> <p>17 Rods projection 13 mm</p> <p>18 Hook rod coupling</p> |
|---|---|



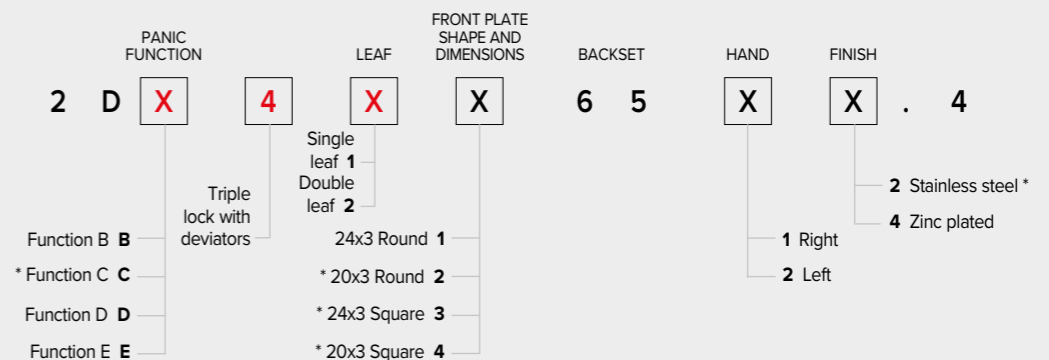
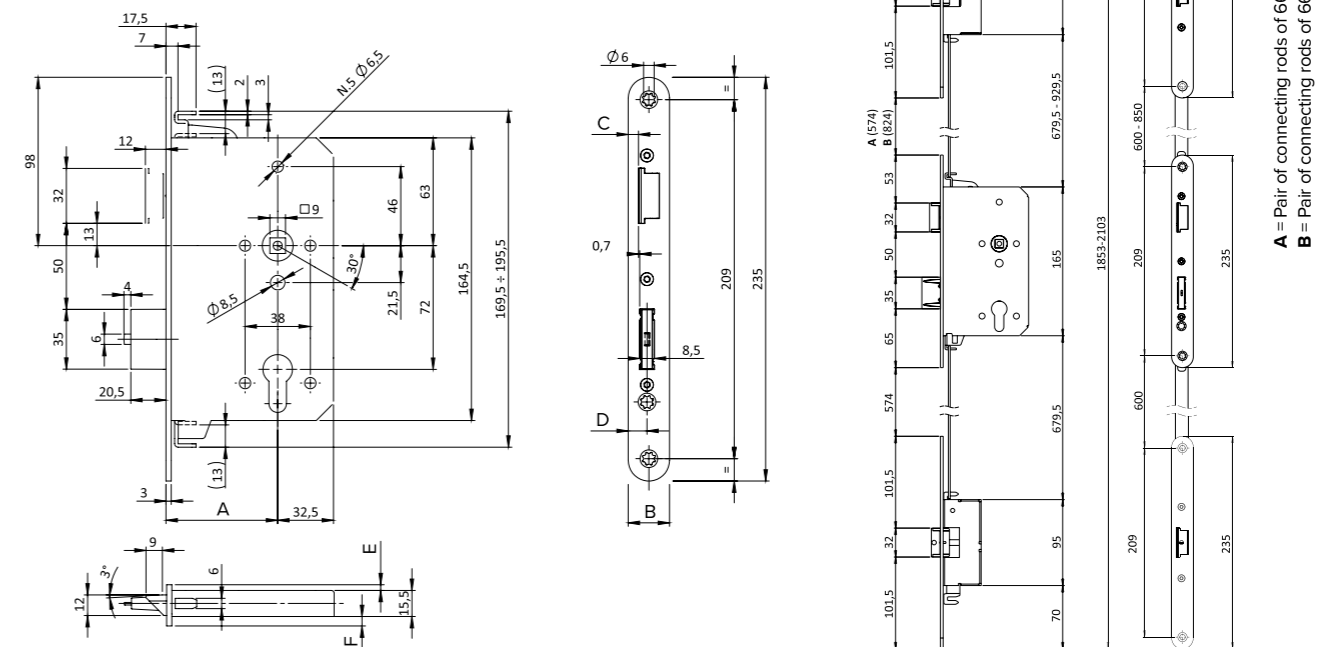
Functioning

- Latches of top and bottom deviators are retracted when the latch of central lock is retracted: vice versa, they are released when the latch of the central lock is released

PANIC FUNCTION

Function B	External handle enabled or disabled
Function D	External handle always enabled
Function E	Entry from outside with key
Function C OPTIONAL	External handle automatically disabled

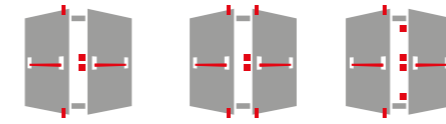
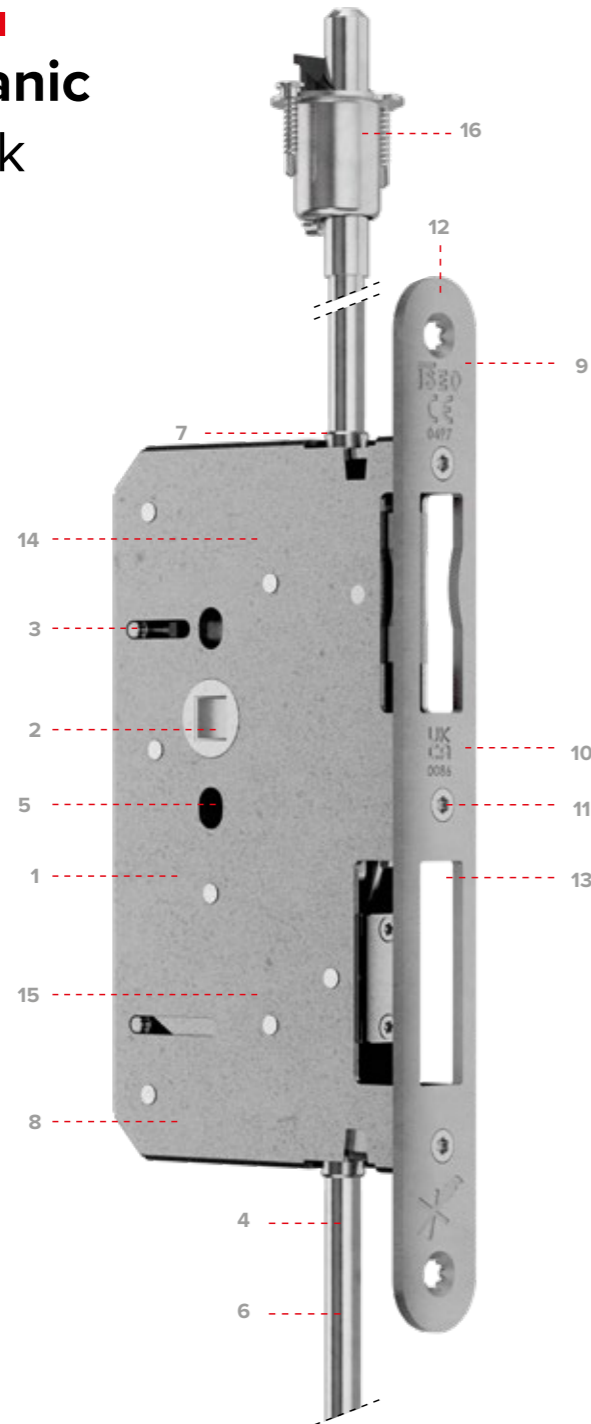
Technical drawing



COMPLIANT WITH STANDARDS DIN18251 - EN 12209 - EN179 - EN1125
(in Kit with ISEO operating elements and components)

* Versions on request

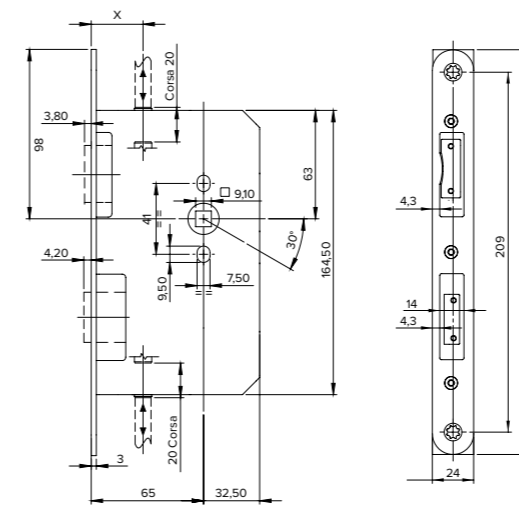
DINFIR3 Panic counter lock



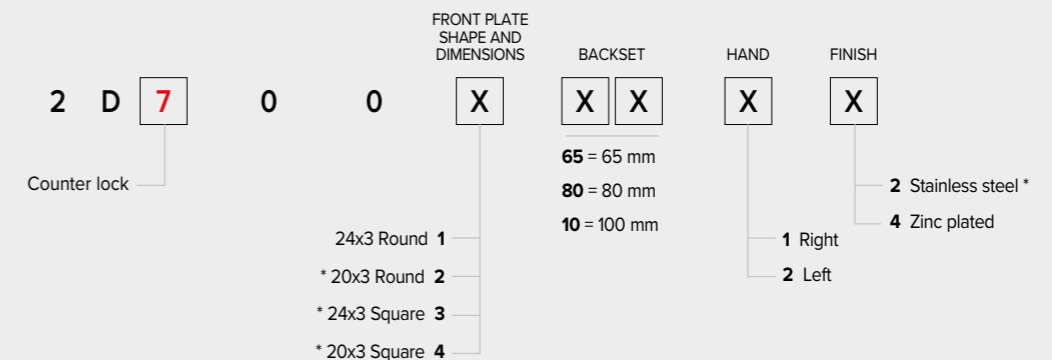
Functioning

- The counter lock receives and contains the latch and deadbolt of the main leaf's panic lock
- The panic exit bar releases the latch and the deadbolt of the main leaf's lock and retracts the rods engaged in the rod stop at the top of the door
- The closure takes place automatically: when the door leaf approaches the rods relatching device, the rods are released. In this way, the counter lock closes automatically with the door leaf aligned

Technical drawing



- | | |
|---|---|
| <p>1 Centre distance 72 mm</p> <p>2 Square spindle 9 mm; 30° rotation in sintered steel</p> <p>3 Rods with self-locking system</p> <p>4 Rods projection 20 mm</p> <p>5 Through-holes for panic bar or emergency handle anchoring</p> <p>6 Rods with 30, 45, 65 mm shaft</p> <p>7 M6 threaded coupling</p> <p>8 Backset 65 mm (also available in 80, 100 mm)</p> <p>9 24x3 mm front plate (also available in 20x3 mm)</p> | <p>10 Zinc plated steel front plate (also available in stainless steel)</p> <p>11 Front plate can be unscrewed to change finishes or for maintenance purposes</p> <p>12 Round front plate (also available in square)</p> <p>13 Zinc plate push lever</p> <p>14 Lock case and cover zinc plated steel</p> <p>15 Lock case sealed on all side</p> <p>16 Rods relatching device</p> |
|---|---|



COMPLIANT WITH STANDARDS DIN18251 - EN 12209 - EN179 - EN1125
(in Kit with ISEO operating elements and components)

* Versions on request



Operating Elements and Panic Kit Components



Palamo
Type A (series 949*)



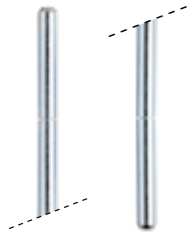

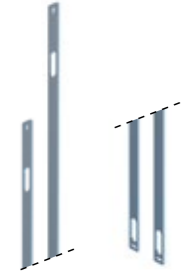


IDEA Base Infilare
Type A (series 94C*)
This type of bar may not be used on double doors equipped with three-point or two-point locks







Push Palamo
Type B (series 944*)
This type of bar may not be used on double doors equipped with three-point or two-point locks



Push Infilare
Type B (series 94F*)
This type of bar may not be used on double doors equipped with three-point or two-point locks

ACCESSORIES	DESCRIPTION	HAND	CODES
	Rods kit, M6 complete with ferrules		032314
	Pair of connecting rods for deviators DINFIR3 L= 668 mm		033117
	Pair of connecting rods for deviators DINFIR3 L= 668 mm + 918 mm		033118
	Rods relatching device (See the ISEO catalogue for any other accessories)		032144...1
	Strike plate 24x3 mm (also available in 20x3 mm) Zinc plated Steel (also available in Stainless steel) Rounded edge (also available square)	RH	03865014
		LH	03865024

For the possible options, please contact ISEO

ACCESSORIES	DESCRIPTION	HAND	CODES
	Strike plate 2 for deviators 24x3 mm (also available in 20x3 mm) Zinc plated steel (also available in Stainless steel) Rounded edge (also available square)		033110
	Lever handles (Consult the ISEO catalogue)		032*
	Pad Infilare		94G*
	MA1A - Connected Smart Handle		00E40201555

(Please see the Iseo catalogue for information on other finishes available) For the possible options, please contact ISEO

**ULTIMATE ACCESS TECHNOLOGIES
TO UNLOCK YOUR FREEDOM TO MOVE.**





ISEO Serrature s.p.a.
Via San Girolamo, 13
25055 Pisogne BS, Italy
Tel. +39 0364 8821
iseo@iseo.com

001123.EN - 09/2024.

Non-contractual document. Subject to change. Images for illustrative purposes only.

iseo.com