

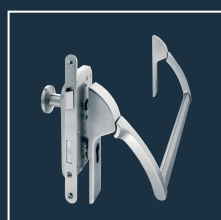
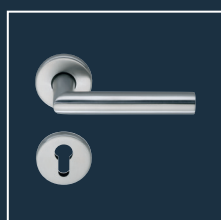


# ECO Project hinge OBX-20-1531/160

Product information



## ■ SYSTEM TECHNOLOGY FOR THE DOOR



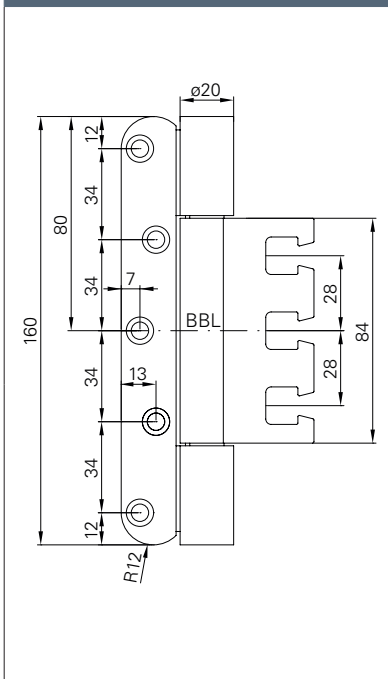


### Product characteristics

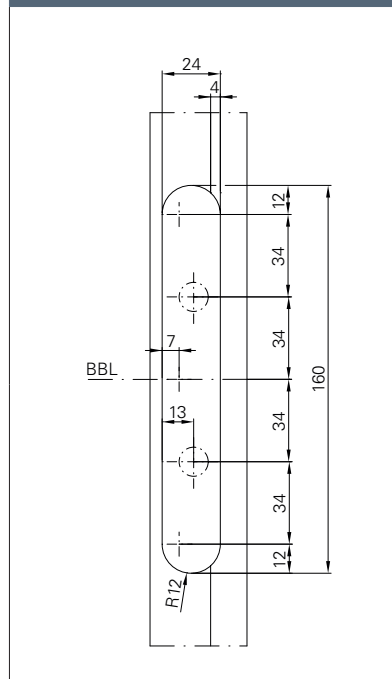
|   |                               |                            |
|---|-------------------------------|----------------------------|
| Size  | 160 mm                        |                            |
| Ø Barrel diameter                             | 20 mm                         |                            |
| Material thickness                            | 3,5 mm                        |                            |
| Screws  | 5 x 50 mm                     |                            |
| DIN left / DIN right                          | ■                             |                            |
| Milling diameter                              | 24 mm                         |                            |
| Milling length                                | 160 mm                        |                            |
| Milling depth                                 | 3,5 mm                        |                            |
| Door types                                    | Rebated                       | ■                          |
|   | Flush with the adjacent areas | -                          |
| Frame types                                   | Wood                          | ■                          |
|   | Steel                         | ■                          |
|   | Aluminium                     | ■                          |
| Suitable for fire doors                       | <b>F</b>                      | ■                          |
| Loading capacity Class 14 (maximum door load) | <b>EN 1935</b> <b>CE</b>      | ■                          |
|   | Norm                          | 160 kg                     |
|   | ECO loading capacity          | 300 kg                     |
| Finishes                                      | Stainless steel (ER)          | ■                          |
|   | ER polished                   | □                          |
|   | PVD coating (brass)           | □                          |
|   | PVD coating in RAL colours    | □                          |
| Reception elements                            | For upright standing pillars  | OBX-3001-3D                |
|   | For timber frames             | OBX-3002-3D                |
|   | For steel frames              | OBX-3011-3D<br>OBX-3012-3D |
|   | For aluminium frames          | OBX-3021-3D                |

■ Yes - No □ On request

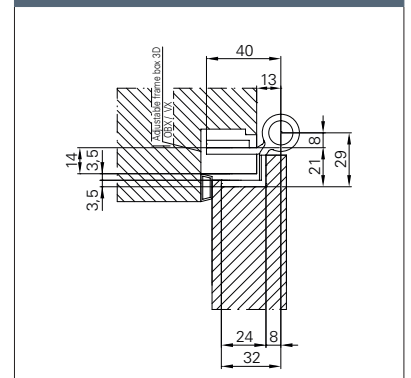
### Dimension drawing



### Milling drawing



### Top view



PRODUCT FAMILY ■ MORTISE REBATED DOOR 3D HINGE



OBX-20-1531/120.ER



OBX-20-1532/160.ER  
OBX-20-1532/120.ER



OBX-20-1951/160.ER  
OBX-20-1951/120.ER



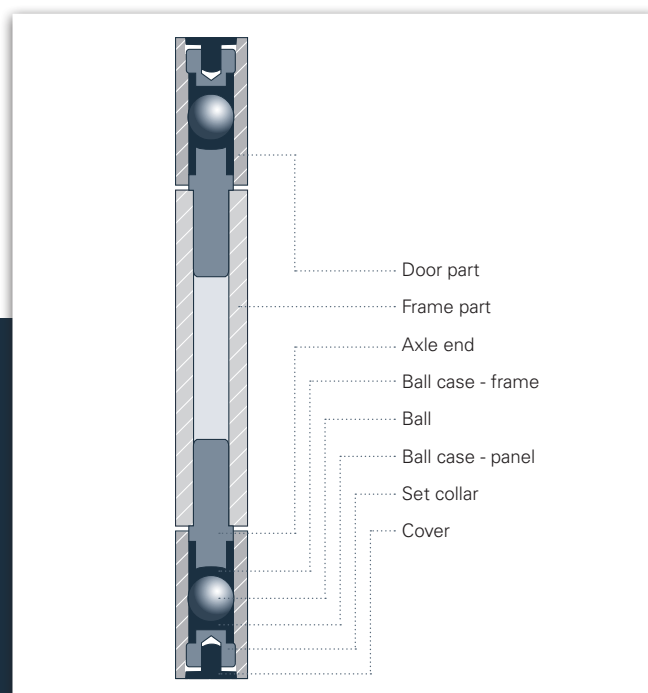
**Description**

ECO **project hinge OBX-20-1531/160**

- For rebated doors on wooden, steel or aluminium frames
- With OBX adjustable frame box adjustable in three dimensions
- Inner, firmly rotating axis
- Wear and maintenance-free ball bearing technology
- Suitable for fire doors
- Can be used DIN left and DIN right without modification

**F** **EN 1935** **CE** **ER**  Wooden door

| OBX-20-1531<br>Mortise rebated door<br>3D hinge | Dimensions    | Article number |
|---|---------------|----------------|
| OBX-20-1531/160.ER                              | Ø 20 x 160 mm | 459231.46      |



ECO Schulte is using a patented bearing technology for the production of OBX and OBN hinges. This technology guarantees a lifelong function.

ECO Schulte GmbH & Co. KG  
Iserlohner Landstraße 89  
D - 58706 Menden

Telefon: +49 2373/9276-0  
Fax: +49 2373/9276-40

[info@eco-schulte.de](mailto:info@eco-schulte.de)  
[www.eco-schulte.de](http://www.eco-schulte.de)

© ECO Schulte GmbH & Co. KG - Änderungen vorbehalten  
© ECO Schulte GmbH & Co. KG - Subject to change