

Fire-resistant mortise door locks.



Fire-resistant mortise door locks and accessories.



ASSA ABLOY

nemef.com

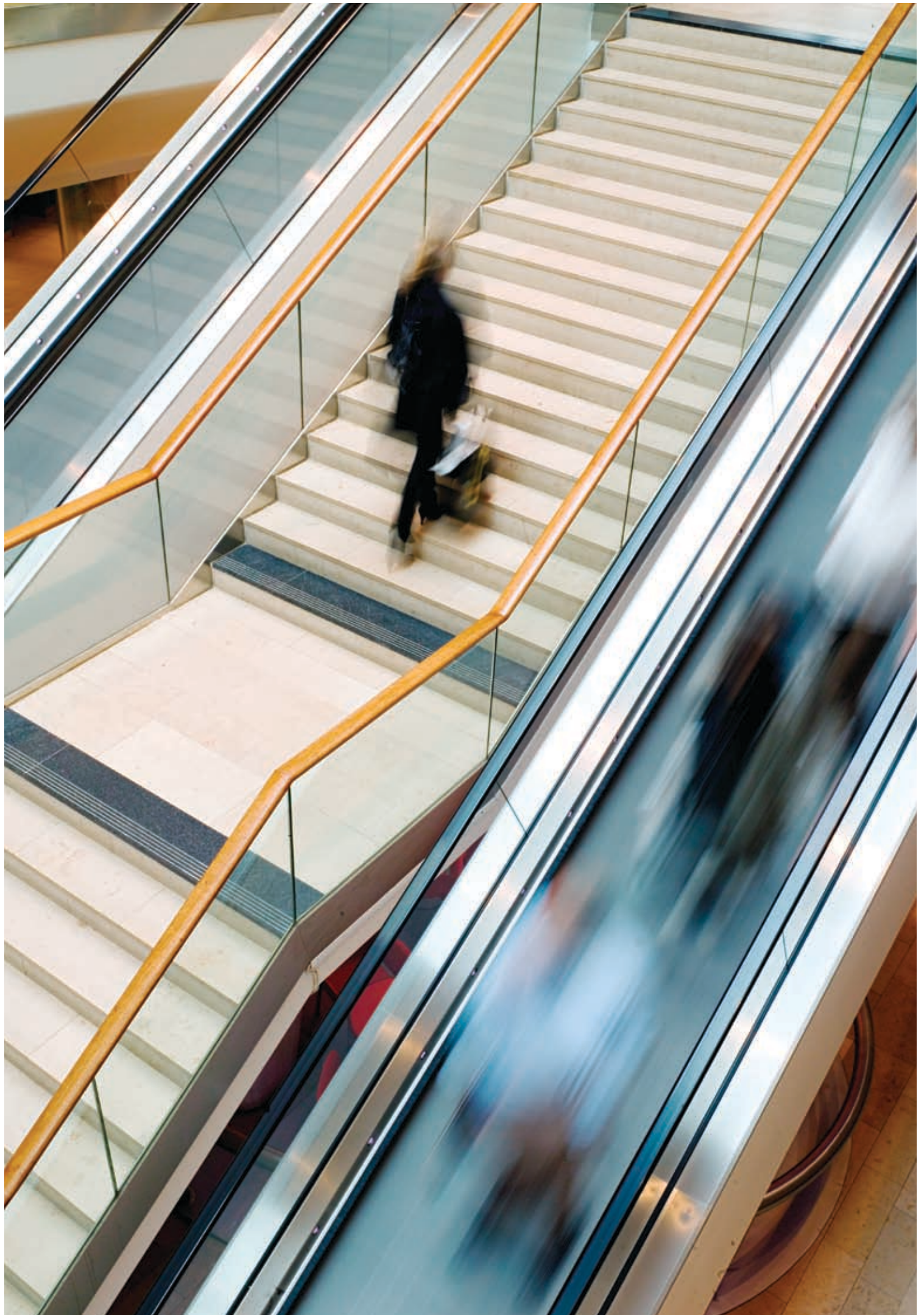
ASSA ABLOY, the global leader in door opening solutions

Fire-resistant mortise door locks.

Nemef guarantees an extensive and continually growing assortment of locks and builders' hardware, such as door locks, profile cylinders, multi-point locks and access control. These quality products that leave the Nemef plant reach their customers quickly and efficiently due to a hypermodern distribution centre in the Netherlands. Nemef is working today on the standard for tomorrow through innovative product development focused on contemporary user convenience. Within this brochure we give an overview of our fire resistant mortise door locks and accessories.

Information	Information about locks	Page 5
EN Standards	Overview of the European standards for building hardware	7
1730 Serie	Fire-resistant mortise locks	15
1759 Serie (non fire-resistant)	Special mortise locks	16
1769 Serie	Fire-resistant mortise locks	17
1769/88 and 699	Self-closing panic locks	20
1729 and 1723 Serie	Fire-resistant mortise multi-point locks	22
1749 and 1742 Serie	Fire-resistant mortise multi-point locks	24
1900 Serie	Fire-resistant panic mortise locks for one and two leaf doors	26
3600 Serie	Panic bar 'Smart'	28
9670/08	Fire-resistant narrow-style panic locks	31
Accessories	1900 and 3600 Series	32
2900 Serie	Fire-resistant door handles	34
1012 Serie	Fire-resistant door hinges	39
Fire resistant plates	Fire resistant plates	40
Strike plates	Strike plates	41
Accessories	Accessories	42
Certificates	Certificates ISO 9001, EN 179 and EN 1125	43

In the future we'll also meet the demands for technical advances and innovations. We therefore reserve the right to make design modifications. Illustrations may thus also vary from the actual products. Despite the greatest of care, printing errors or mistakes may be made. Nemef accepts no responsibility in such cases and will not enter into any obligations of any kind. No responsibility is taken for the correctness of any safety regulations reproduced.



Information about locks.



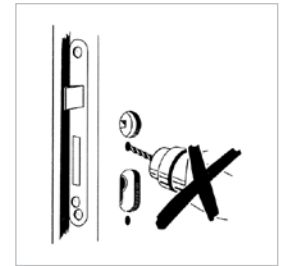
Do not fix a knob profile cylinder in lock of panic doors.



Do not paint front, dead- and latch bolt.



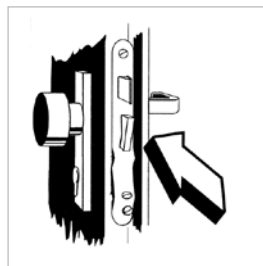
Do not leave a key in the lock of panic locks.



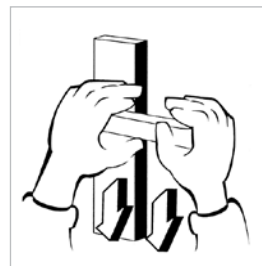
Do not drill through lockcases.



Do not fit the square spindle with force.

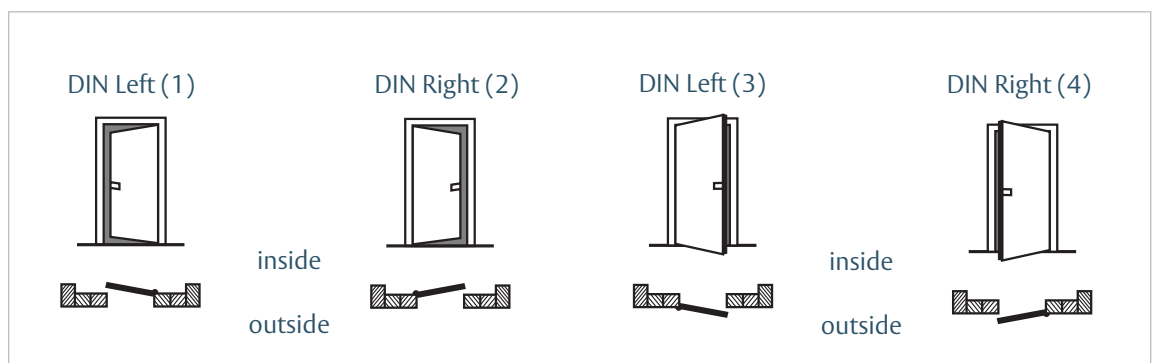


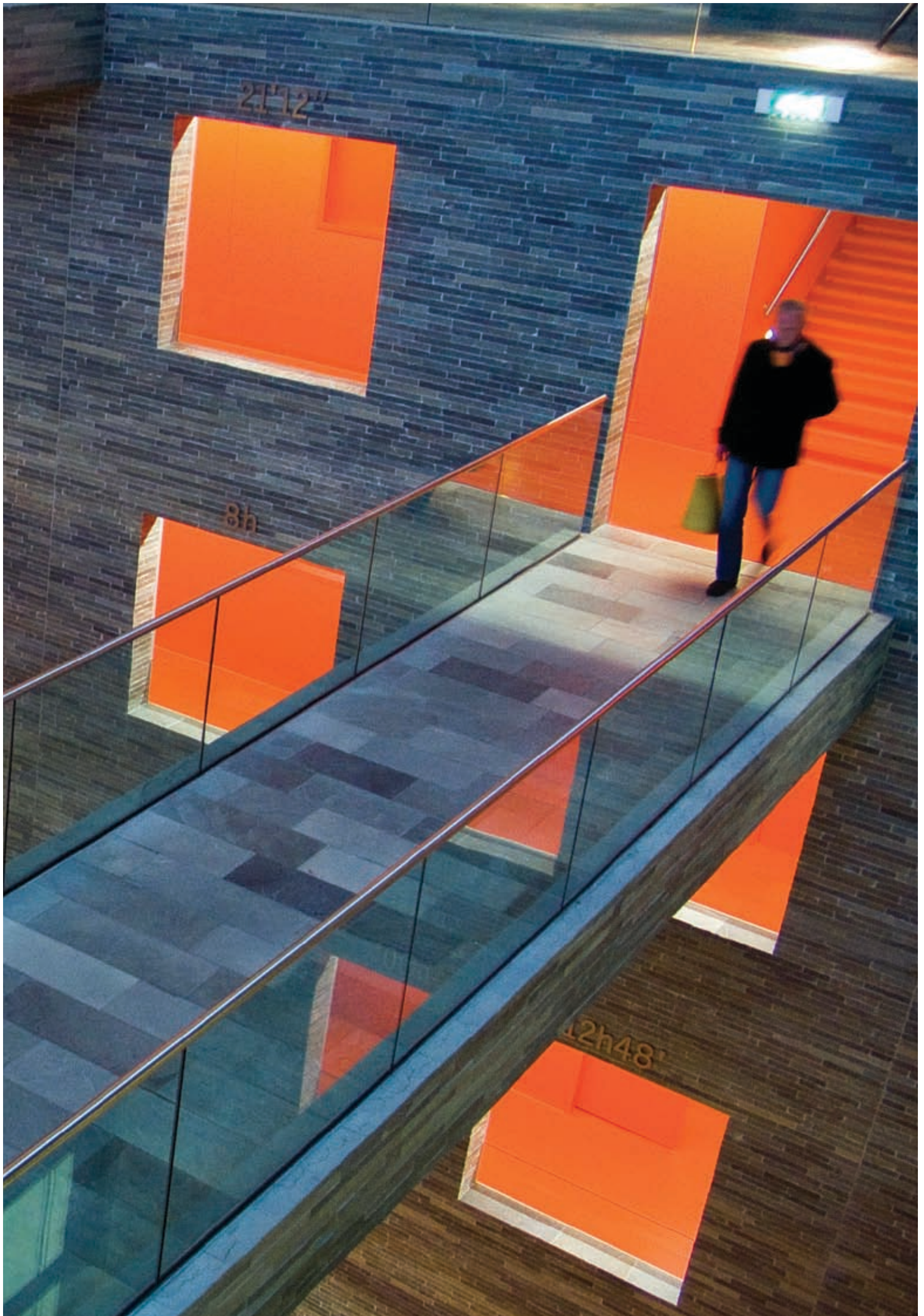
If door furniture is not fixed do not throw dead bolt. Locks must be replaced when signs of damage are obvious.



Do not force door trim.

International Situation Symbols





21'12"

8h

12h48'

Overview of the European EN Standards for building hardware.

What are the advantages of an EN-tested product?

- Resistance/reliability.
- Durability.
- Safety.
- Ease-of-use.
- Guaranteed operability.
- Dimensions.
- Mechanical resistance.

Where do the standards apply?

- In public buildings
- Hospital.
 - Shopping centre.
 - Station.
 - Airport.

- In private buildings
- Apartment block.
 - Office.

EN 179

- Emergency exit devices operated by a lever handle or push pad, for use on escape routes.
- Requirements and test methods.

EN 1125

- Panic exit devices operated by a horizontal bar, for use on escape routes.
- Requirements and test methods.

EN 12209

- Locks and latches.
- Mechanically operated locks, latches and locking plates.
- Requirements and test methods.

EN 1935

Fire-resistant door hinges.

DIN 18250

Mortise locks for fire- and smoke resistant doors.

DIN 18273

Doorhandles for fire- and smoke resistant doors.

CE marking

Mechanically operated locks, latches and panic and emergency exit devices intended for use on fire/ smoke control doors within the European Economic Area are covered by Construction Products Directive mandate issued by the European Commission. Consequently, this standard is regarded as “harmonised” and compliance with it, supported by suitable evidence, allows for the application of the CE mark.



EN 179 Emergency exit devices operated by a lever handle or push pad, for use on escape routes - Requirements and test methods.

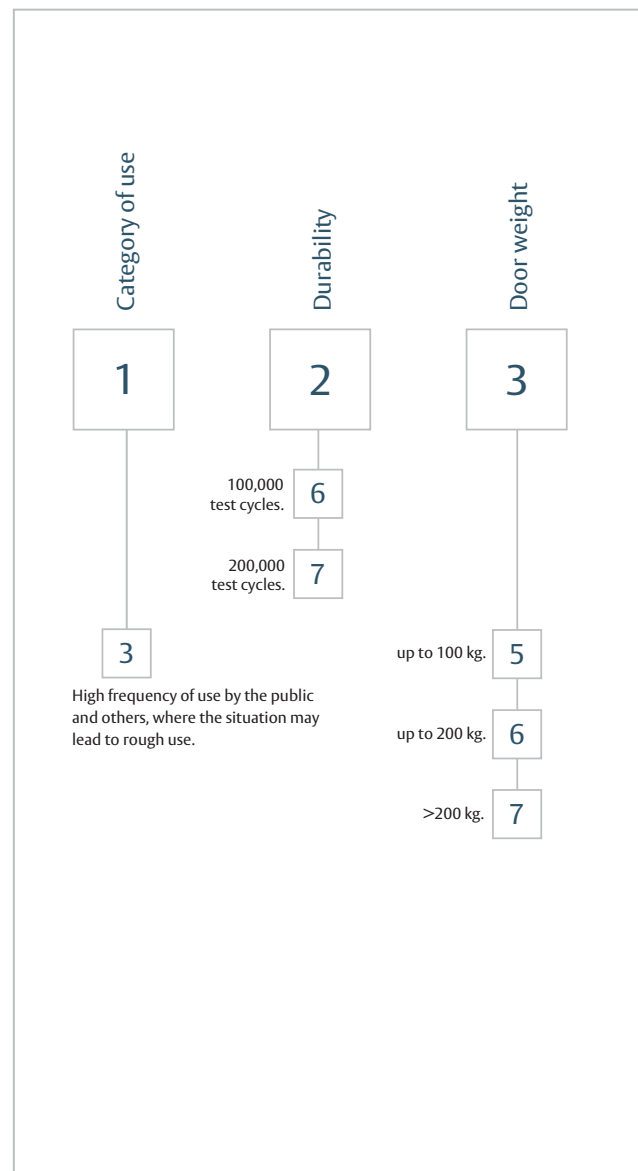
Use

Emergency situations where the occupants know the building, its escape routes and emergency exits and where panic situations are hardly to be expected; for example, in offices or apartment blocks.

The emergency exit devices in accordance with standard EN 179 are intended to ensure a safe and efficient escape route via an emergency exit door that can be opened with one simple action.

Specifications for the locking mechanism for emergency exits in accordance with the EN 179 standard

- Operation tested between -10°C and $+60^{\circ}\text{C}$.
- U-shaped lever on the inside in order to minimise the risk of injury, and a minimum length of 120 mm (measured from the centre of the lever pivot pin to the extreme edge of the lever).
- Protrusion of the operating element:
 - maximum of 150 mm in category 1.
 - maximum of 100 mm in category 2.
- The exterior means of operation (key, cylinder, lever handle or knob) must be approved by the manufacturer of the emergency exit device.
- The force required to unlock an emergency exit device with a lever handle \Rightarrow less than 70 N.
- The force required to unlock an emergency exit device with a push pad (also known as pushing force) \Rightarrow less than 150 N.
- Durability:
 - 100,000 test cycles for grade 6.
 - 200,000 test cycles for grade 7.

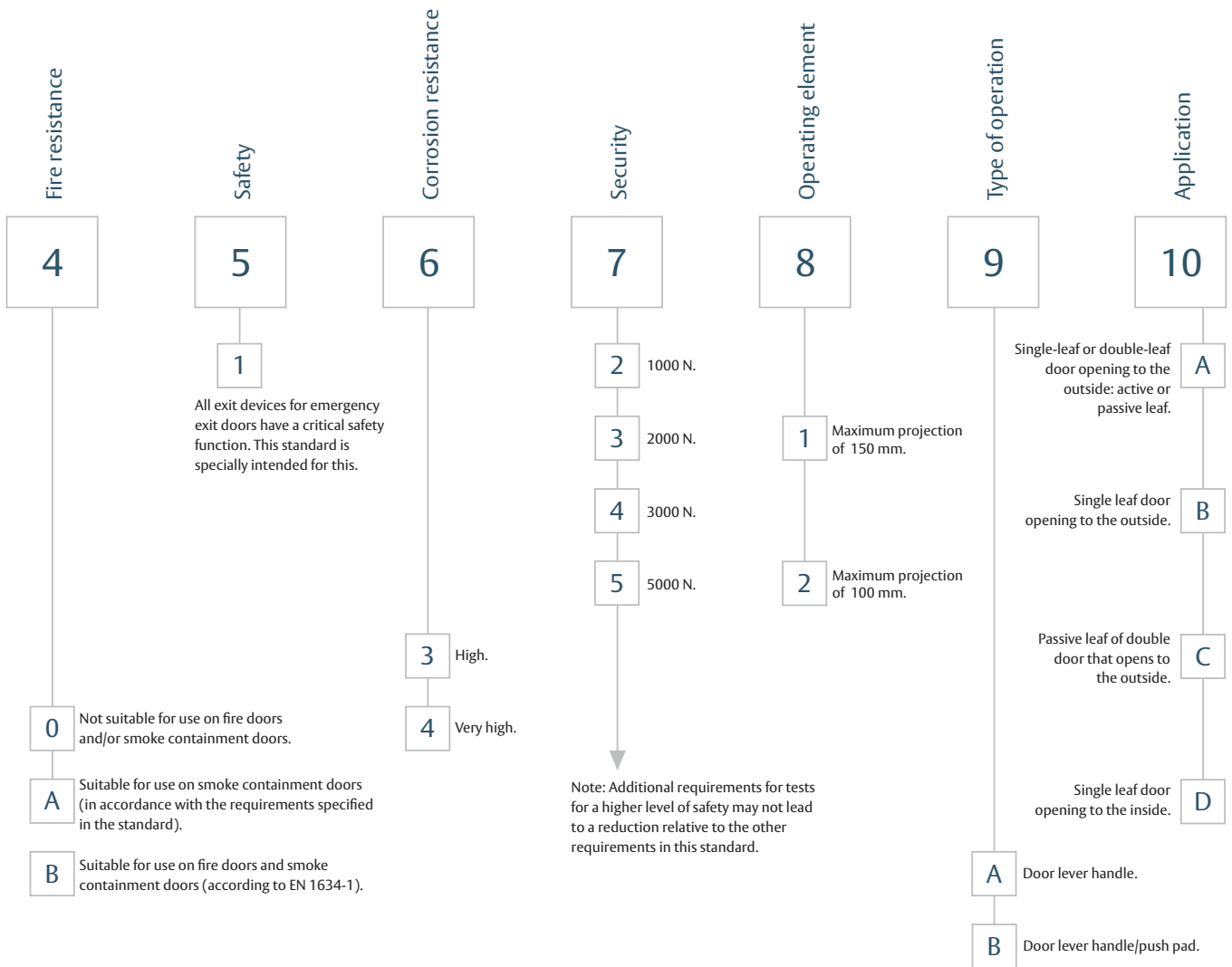


Classification EN 179: 2008.

Classification The EN 179 standard uses a 10 digit code to classify the emergency exit facility.

Nemef products that comply with the EN 179 standard

- Mechanical locks with a panic function and automatic locking.
- Lock types: e.g. Art. 1769/36, 1769/46 and 1769/88.



EN 1125 Panic exit devices operated by a horizontal bar, for use on escape routes - Requirements and test methods.

Use

A panic exit device (also called panic hardware) is used to allow operation of an emergency exit door in a safe, secure and efficient way, with a minimal force and without prior knowledge of the system. A panic exit device in accordance with the EN 1125 standard is used where a large number of people can be expected who, in an emergency situation, are neither familiar with the escape routes nor the escape provisions.

Consequently, it offers a safe way of escaping the building even when the door is subjected to load (i.e. even when a person pushes against the door and not on the bar, one should still be able to open the door by pressing the panic bar). The panic exit devices are opened by a horizontal bar.

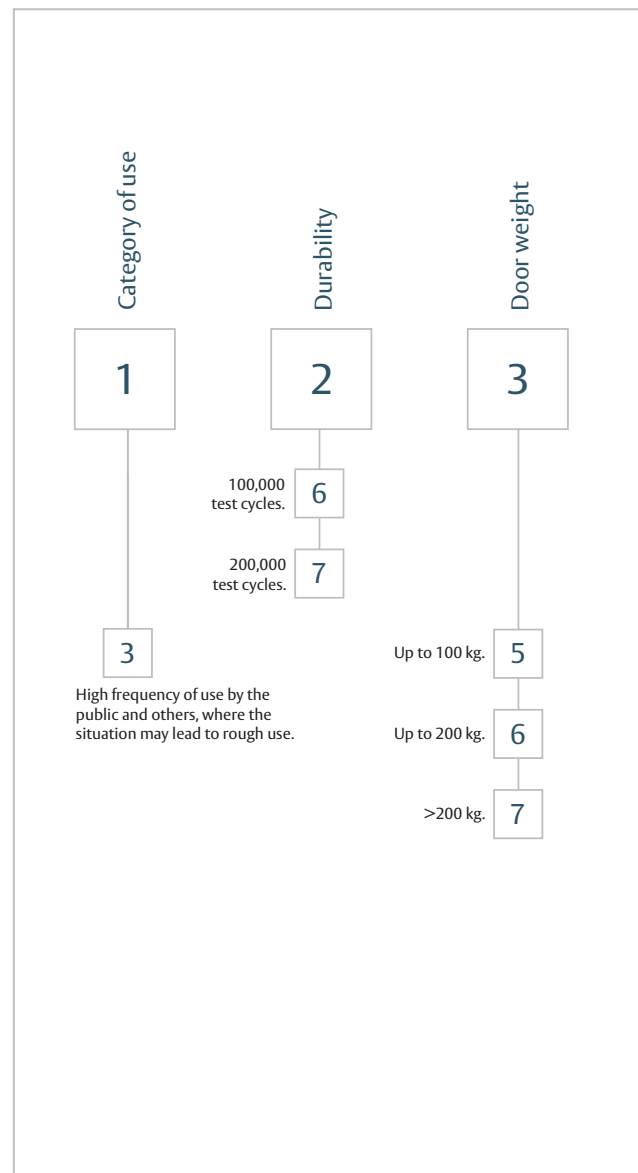
There are two types:

- Type A, panic exit devices with a push bar: the bar moves through an arc in the downward direction.
- Type B, panic exit devices with a touch bar: this is a bar which is pushed in the direction of opening.

Panic exit devices are available as complete face-fit units or as face fit units in combination with a mortise lock. The exterior face to exterior face dimension of a panic exit device must match the total door width as accurately as possible, but may never be less than 60% of the total door width.

Specifications for the locking mechanism for emergency exits in accordance with the EN 1125 standard.

- Operation tested between -10°C and +60°C.
- All sharp edges must be rounded to a minimum radius of 0.5 mm.
- The distance between the bar and the door leaf surface may not be less than 25mm.
- Protrusion of the operating element:
 - maximum of 150 mm in category 1.
 - maximum of 100mm in category 2.
- The exterior means of operation (key, cylinder, lever handle or knob) must be approved by the manufacturer of the panic exit device.
- The force required for unlatching a panic exit device in a situation where the door is not under load => less than 80 N.
- The force required for unlatching a panic exit device in a situation where the door is under load => less than 220 N.
- Durability:
 - 100,000 test cycles for grade 6.
 - 200,000 test cycles for grade 7.

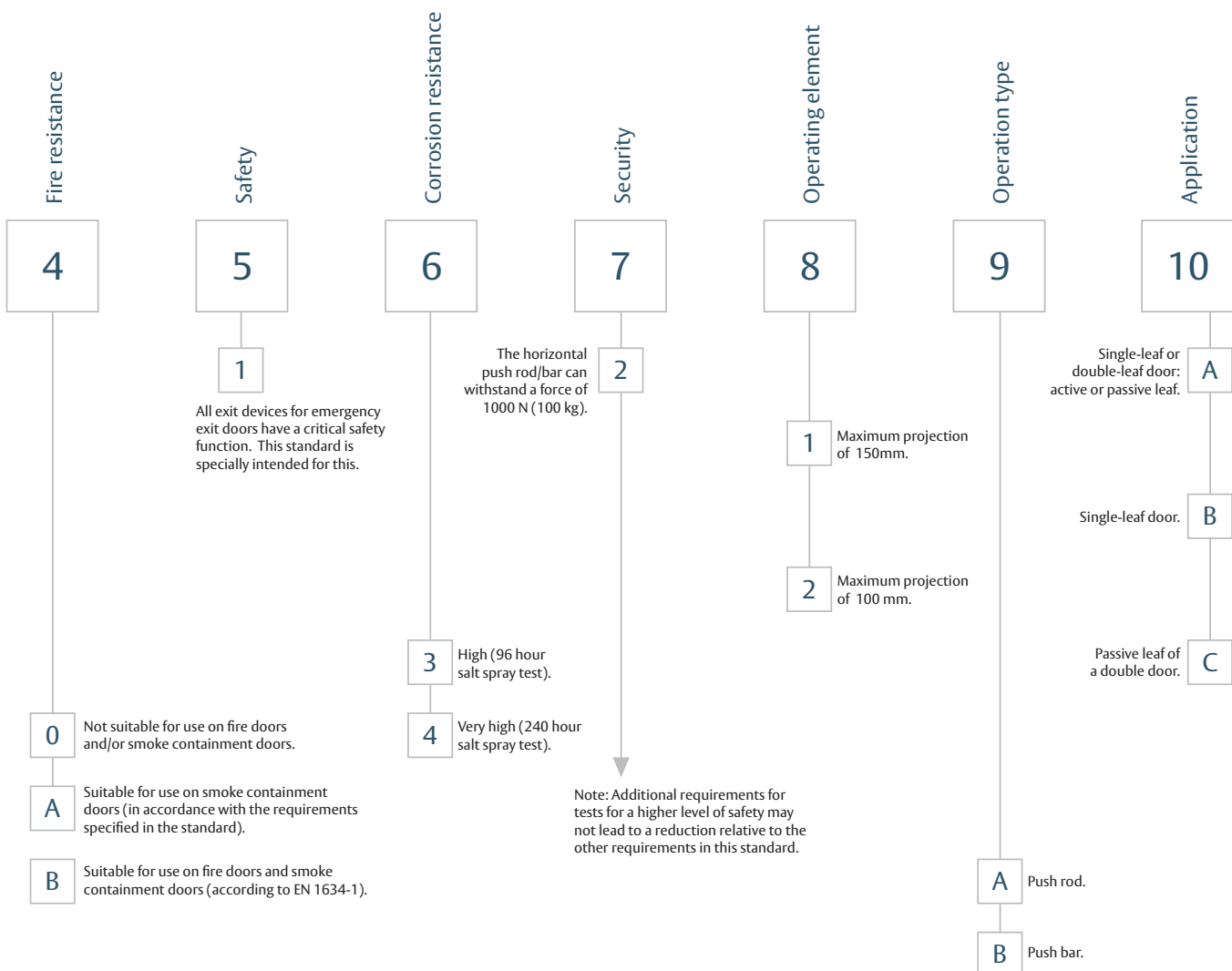


Classification EN 1125: 2008.

Classification The EN 1125 standard uses a 10 digit code to classify the emergency exit facility.

Nemef products that comply with the EN 1125 standard All face-fit panic bar exit devices in the Nemef range comply with the EN 1125 standard.

The panic bar exit devices with integral lock (tested together) that comply with the EN 1125 standard are:
 Lock types: e.g. Art. 1901 and 1921.
 On condition that the exit can always be used via the lever handle on the inside, the norm does not allow monitoring of the exit.



EN 12209 Locks and latches - Mechanically operated locks, latches and locking plates - Requirements and test methods.

Use

This European standard specifies the requirements and test methods for durability, resistance, security, operation of the mechanical locks and their locking plates in accordance with the usage profile for the door. The correct grade must be chosen in line with the usage profile.

Specifications for the locking mechanism for emergency exits in accordance with the EN 12209 standard.

- Operation tested between -20°C and +80°C.
- Category of use:
 - Grade 1: average frequency of use, very careful users => private use.
 - Grade 2: high frequency of use, careful users => interior doors in offices.
 - Grade 3: very high frequency of use, high probability of abuse => offices in public buildings.
- Durability: in accordance with the cycles and load on the day latch.
- Fire resistance:
 - Grade 0: not CF-approved.
 - Grade 1: CF-approved.
- Safety.
- Corrosion resistance.
- Security.

Classification

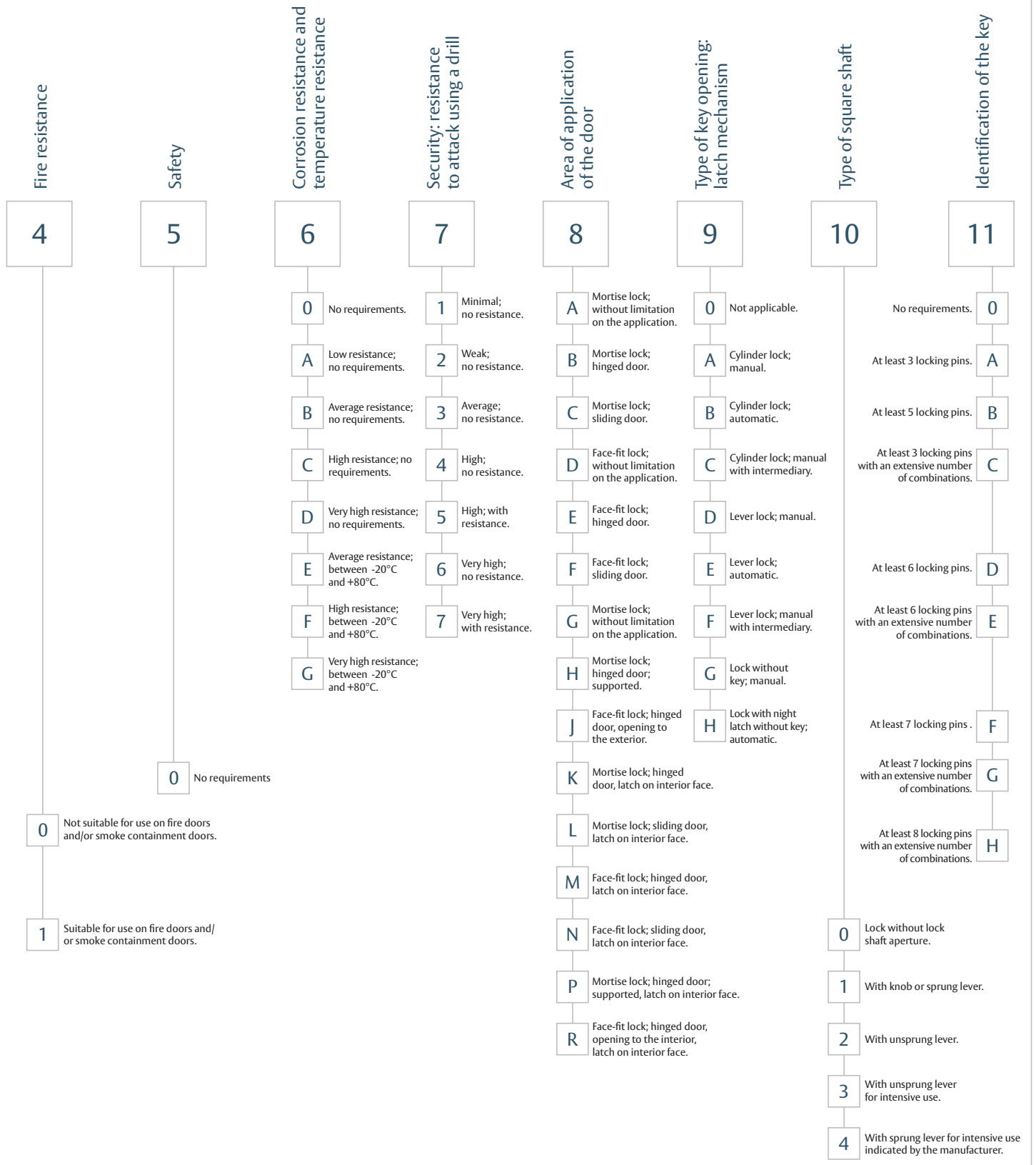
The EN 12209 standard uses an 11 digit code to classify the mechanical locks.

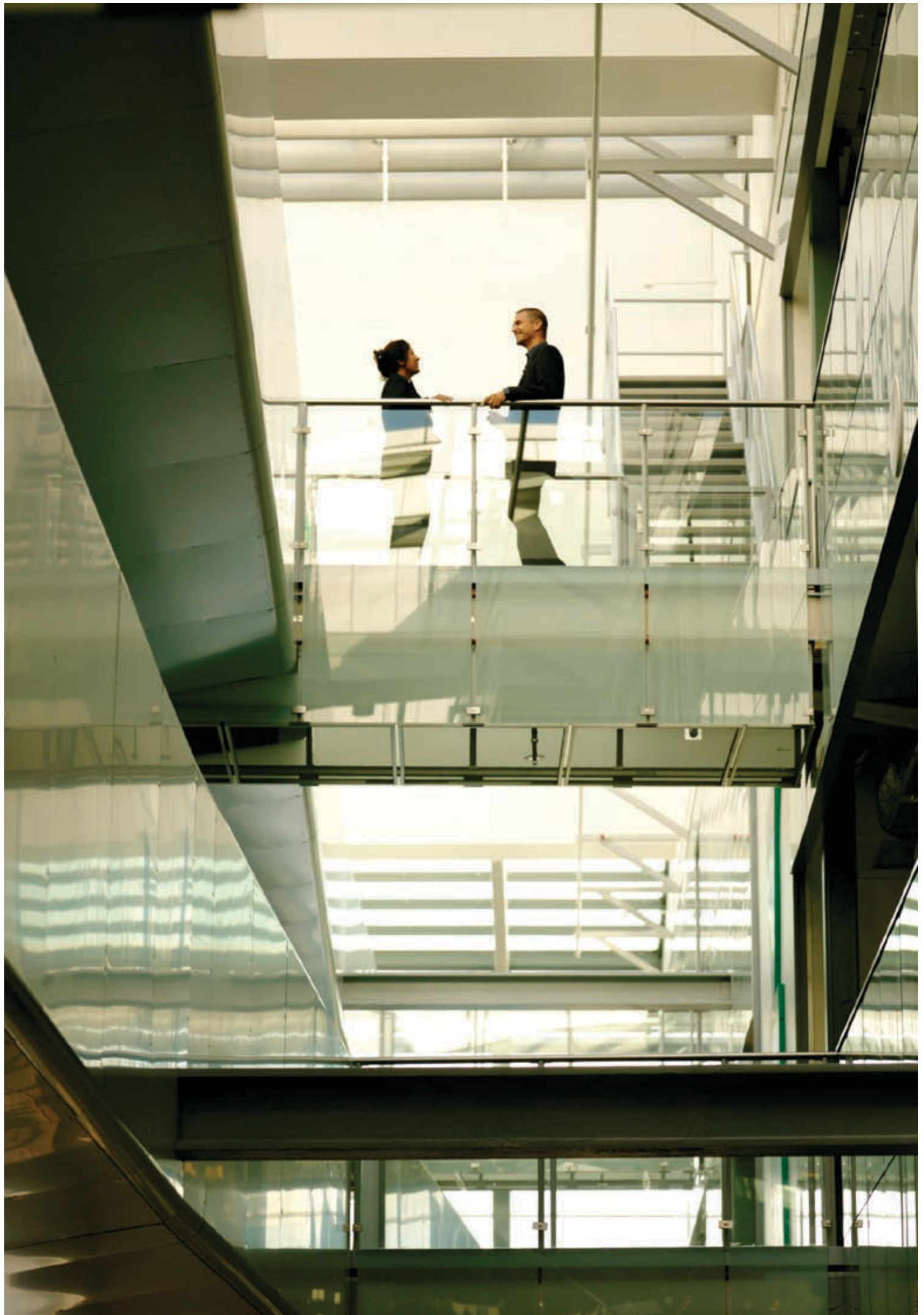
Nemef products that comply with the EN 12209 standard

Mechanical locks with a panic function and automatic locking.



Classification EN 12209:2003/AC:2005.





1730 Series.

Fire-resistant mortise locks

Specifications

- For European profile cylinder.
- Key action on latch bolt.
- Single throw dead bolt.
- Non-handed.
- Without strike plate.

Art. 1739/36

Furniture with fixed knob outside is required. In unlocked position latch bolt retracts from the outside only by key action, from the inside by lever handle. In locked position lever handle retracts latch- and dead bolt simultaneously from inside (panic function). Bolts operated from outside by cylinder key only.

Art. 1739/46

Furniture with split spindle is required. In unlocked position, latch bolt is operated from both sides by lever handle/key action. In locked position, inside lever handle retracts latch- and dead bolt simultaneously. Outside lever handle retracts latch bolt only. Dead bolt operated by cylinder key.

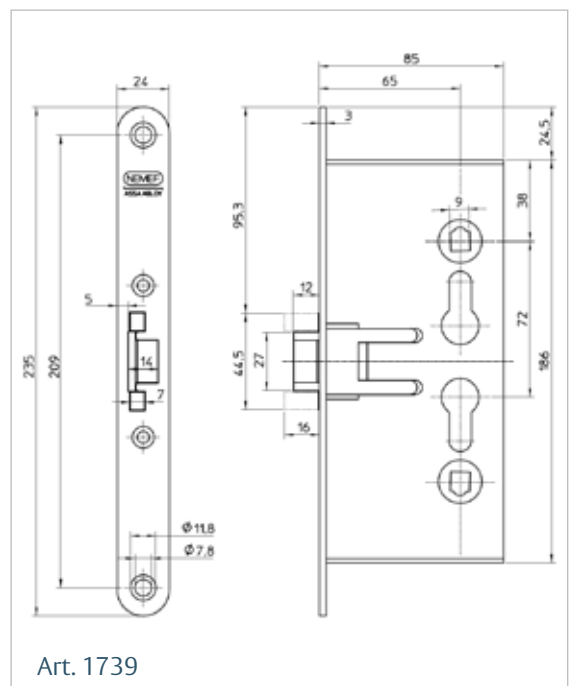
Accessories

- Key-infill piece with set screw Art. BB 1739 and BB 7000 (Page 42).
- Strike plate Art. P 1739/17 stainless steel and 1739/12 zinc-plated (page 41).
- Reduction sleeve 8/9 mm Art. 1769/21 (page 42).

	1739/03	1739/27	1739/28	1739/29	1739/36	1739/46	1739/51	1739/55
Backset 65 mm	•	•	•	•	•	•	•	•
Distance 72 mm	•	•		•	•	•	•	•
Profile cylinder	•	•		•	•	•	•	•
9 mm follower	•	•	•	•	•	•	•	•
Steel, zinc-plated front plate 24 x 235 mm rounded	•		•	•	•	•	•	•
Stainless steel front plate 24 x 235 mm rounded		•						
Steel, zinc-plated lock case	•	•	•	•	•	•	•	•
Steel, zinc-plated latch bolt	•	•	•	•	•	•		•
Zinc-plated roller bolt (adjustable)							•	
Steel, zinc-plated dead bolt	•	•	•	•	•	•	•	
Key action on latch bolt	•	•	•	•	•	•	•	•
Single throw	•	•	•	•	•	•	•	•
Panic one-piece follower					•			
Panic two-piece follower						•		
Zinc-plated security bolt								•
22 mm profile cylinder			•					
Packed per piece		•	•	•	•	•	•	•
Packed per 25 pieces	•							



Art. 1739
Standards: CE marking, EN 12209 and EN 179 (Panic)



Art. 1739

1759 Series (non fire-resistant). Special mortise locks.

Specifications

- Non fire-resistant.
- For European profile cylinder.
- Key action on latch bolt.
- Single throw dead bolt.
- Non-handed.
- Without strike plate.

Accessories

Strike plate Art. P1759/02 steel zinc plated (page 41).

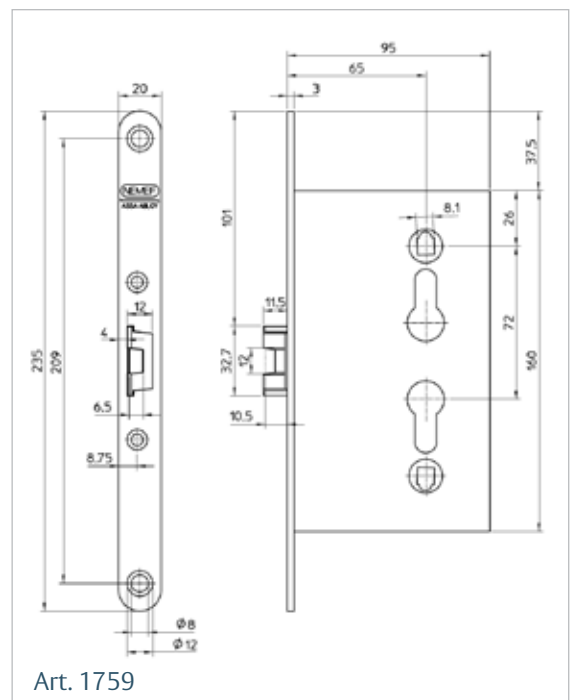
Note

For non fire-resistant steel doors (for example passage door in garage).



Art. 1759
Standards: none

	1759/02	1759/02 KABA	1759/06	1759/08	1759/08 KABA	1759/26	1759/29
Backset 65 mm	•	•	•	•	•	•	•
Distance 72 mm	•		•	•		•	•
Profile cylinder	•		•	•		•	•
8 mm follower	•	•	•	•	•	•	•
Steel, lacquered front plate 20 x 235 mm rounded RAL 7035	•	•					•
Steel, zinc-plated front plate 20 x 235 mm rounded			•			•	
Steel, zinc-plated front plate 20 x 325 mm rounded Hole 6.5 countersunk 11.25 x 90°				•	•		
Steel, zinc-plated lock case for multi-point						•	
Steel, zinc-plated lock case	•	•	•	•	•		•
Die-cast, latch bolt	•	•	•	•	•	•	•
Latch bolt not centric in front plate			•	•	•		
Die-cast, dead bolt	•	•	•	•	•	•	•
Key action on latch bolt	•	•	•	•	•	•	•
Single throw	•	•	•	•	•	•	•
22 mm profile cylinder		•			•		
Handed						•	
Packed per piece			•				•
Packed per 25 pieces	•	•	•	•	•	•	•



Art. 1759

1769 Series.

Fire-resitant mortise locks.

Specifications

- For European profile cylinder.
- Key action on latch bolt.
- Double throw dead bolt.
- Handed.
- Without strike plate.

Art.1769/36

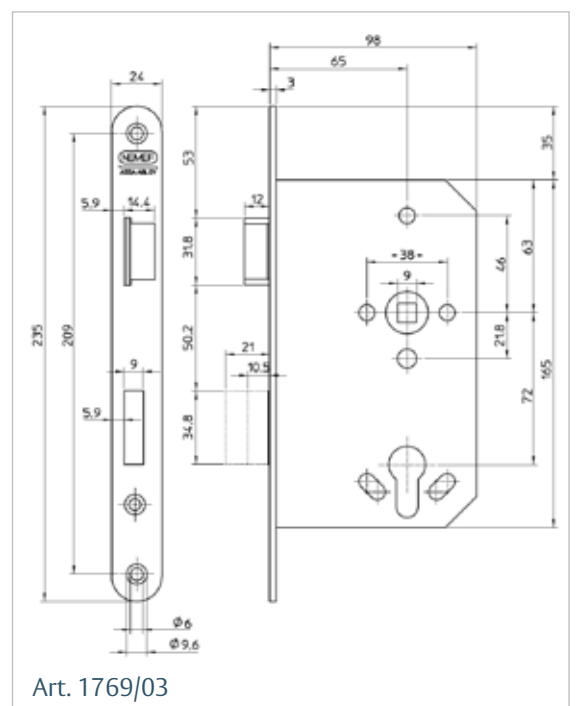
Furniture with fixed knob outside is required. In unlocked position latch bolt retracts from the outside only by key action, from the inside by lever handle. In locked position lever handle retracts latch- and dead bolt simultaneously from inside (panic function E). Bolts operated from outside by cylinder key only.

Art.1769/46

Furniture with split spindle is required. In unlocked position, latch bolt is operated from both sides by lever handle/key action. In locked position, inside lever handle retracts latch- and dead bolt simultaneously (panic function D). Outside lever handle retracts latch bolt only. Dead bolt operated by cylinder key.

	1769/03	1769/08	1769/23	1769/24	1769/25	1769/26	1769/32	1769/35	1769/36	1769/46	1769/48	1769/56	1769/57	1769/77
Backset 65 mm	•	•	•	•	•	•	•	•	•	•	•	•	•	•
Distance 72 mm	•	•	•	•	•	•	•	•	•	•	•	•	•	•
Profile cylinder	•	•	•	•	•	•	•	•	•	•	•	•	•	•
9 mm follower	•		•	•	•		•	•	•	•	•	•	•	•
8 mm follower		•												
Steel, zinc-plated front plate 24 x 235 mm rounded	•	•	•						•	•	•			
Stainless steel front plate 24 x 235 mm rounded				•	•	•		•				•		•
Stainless steel front plate 20 x 235 mm rounded							•						•	
Steel, zinc-plated lock case	•	•	•	•	•	•	•	•	•	•	•	•	•	•
Steel, zinc-plated latch bolt	•	•	•						•	•	•			
Steel, nickel-plated latch bolt				•	•		•	•				•	•	•
Steel, zinc-plated dead bolt	•	•	•						•	•	•			
Steel, nickel-plated dead bolt				•		•	•	•				•	•	•
Latch only					•									
Dead bolt only						•								
Key action on latch bolt	•	•	•	•	•		•	•	•	•	•	•	•	•
Double throw	•	•	•	•		•	•	•	•	•	•	•	•	•
Panic one-piece follower								•	•					
Panic two-piece follower										•	•	•	•	•
Panic two-piece follower inwards														•
Lever free											•			
Packed per piece			•	•	•	•	•	•	•	•	•	•	•	•
Packed per 25 pieces	•	•												

Accessories: 22 mm profile cylinder hole, strike plate Art. P 1769/66 zinc-plated (reversible) or Art. P 1769/17 stainless steel (handed) (page 41), reduction sleeve 8/9 mm Art. 1769/21 (page 42).





1769 Series - Class 5*.

Fire-resistant mortise locks.

Specifications

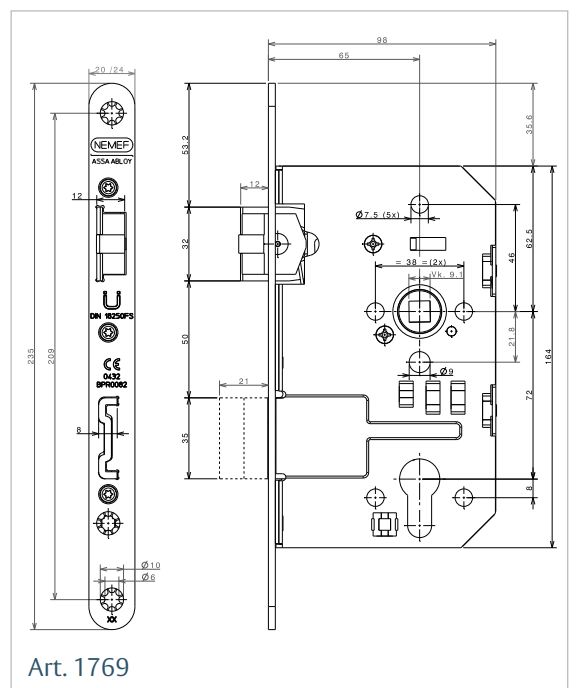
- For fire-resistants doors.
- To take profile cylinder.
- Handed.
- Backset 65 mm - distance 72 mm.
- Key action on latch bolt.
- Plastic latch for noise reduction.
- Double throw Omega dead bolt.
- Front plate available in 20/24 mm in aluminium finish or stainless steel.
- Available with plastic dead bolt cap on request.
- Without strike plate.



Art. 1769/01 and 1769/02
Standards: CE marking, EN 12209 and DIN 18250 T 120 (part 1)

	1769/01	1769/02
Front plate 20 x 235 mm rounded	•	
Front plate 24 x 235 mm rounded		•
9 mm follower	•	•
Aluminium finish or stainless steel	•	•
Packed per 25 or 750 pieces	•	•

* Class 5 according to DIN 18250 attachment 2.



Art. 1769

1769/88 Self-closing Panic locks. Fire-resistant.

Specifications

- To take profile cylinder.
- Handed.
- Backset 65 mm - distance 72 mm.
- Key action on latch bolt.
- With auxiliary latch.
- 9 mm bolt through follower.
- Is fire-resistant and MPA registered.
- Without strike plate.

Attention

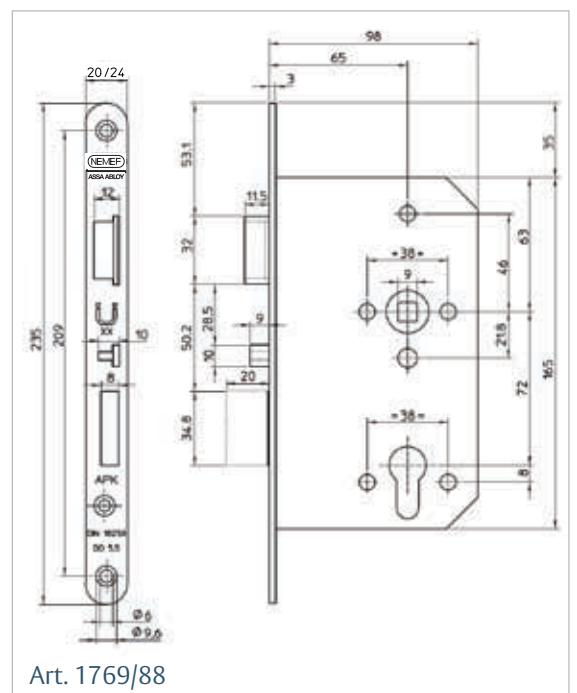
Do not use these locks in combination with knob cylinder, electrical door opener nor lever/lever handle.

Accessories

None.



Art. 1769/88
Standards: EN 179 and DIN 18250 T 120 (part 1),
MPA registered



Art. 1769/88

	1769/88
Backset 65 mm	•
Stainless steel front plate 20 x 235 mm rounded	•
Stainless steel front plate 24 x 235 mm rounded	•
Packed per piece	•

699 Self-closing Panic locks. Non fire-resistant.

Specifications

- To take profile cylinder.
- Handed.
- Backset 55 und 60 mm - distance 72 mm.
- Key action on latch bolt.
- With auxiliary latch.
- 8 mm bolt through follower.
- Including strike plate.

Attention

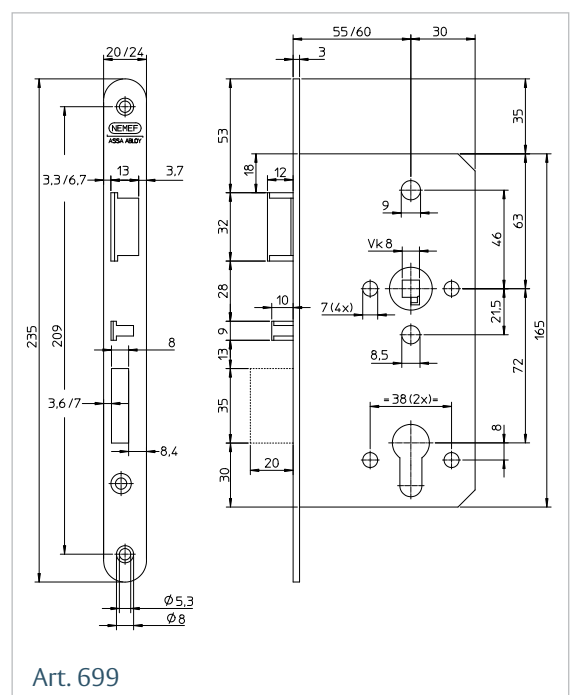
Do not use these locks in combination with knob cylinder, electrical door opener nor lever/lever handle.

Accessories

None.



	699/30	699/31	699/34	699/35
Backset 55 mm	•		•	
Backset 60 mm		•		•
Stainless steel front plate 20 x 235 mm rounded	•	•		
Stainless steel front plate 24 x 235 mm rounded			•	•
Packed per piece	•	•	•	•



1729 and 1723 Series.
Fire-resistant mortise multi-point locks.



1729 and 1723 Series.

Fire-resistant mortise multi-point locks.

Specifications

Main lock
Art. 1729/21

- Non-handed.
- For European profile cylinder.
- Key action on latch bolt.
- Single throw dead bolt.
- With rod movement up- and downwards.
- Without strike plate.

Latches
Art. 1723/21

- Handed.
- With rod connection.

Rods
Art. 1729

Length 648 or 958 mm.

In unlocked position

Latch bolts are operated from both sides by lever handle or key action on latch bolt.

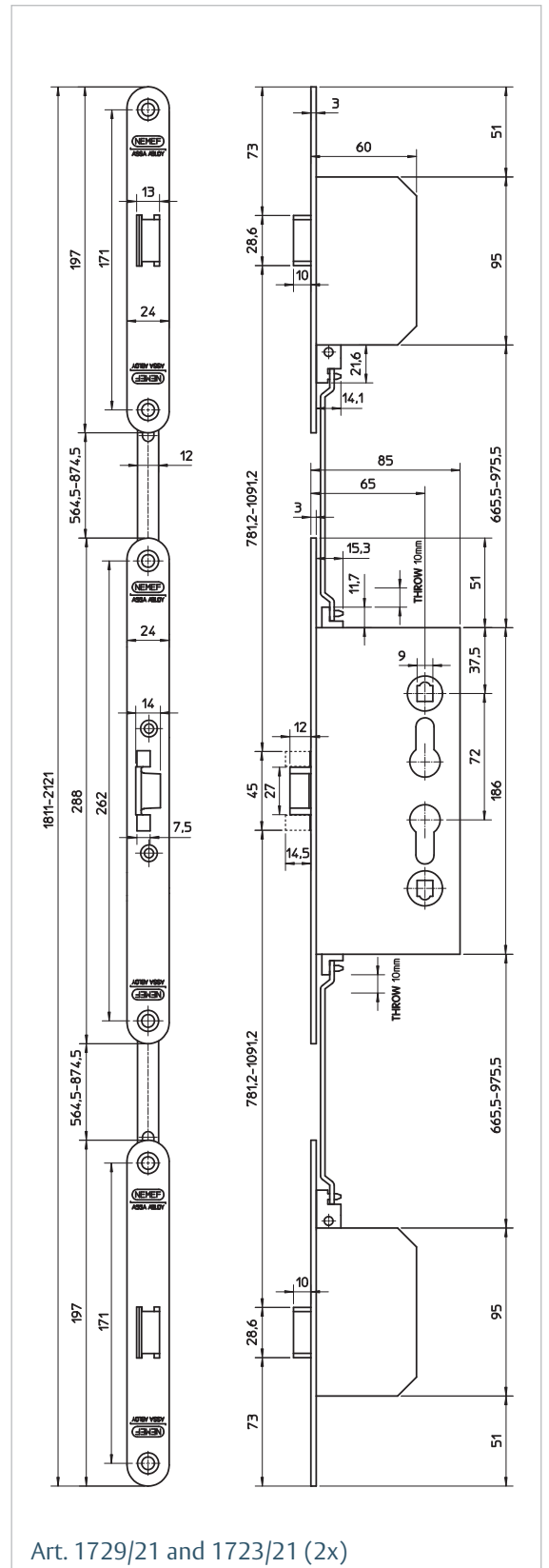
In locked position

Dead bolt is locked. Latch bolts are operated from both sides by lever handle.

Accessories

None.

	1729/21	1723/21
Backset 65 mm	•	
Distance 72 mm	•	
Profile cylinder	•	
9 mm follower	•	
Steel, zinc-plated front plate 24 x 288 mm rounded	•	
Steel, zinc-plated front plate 24 x 197 mm rounded		•
Zinc-plated lock case	•	•
Zinc-plated latch bolt	•	•
Zinc-plated dead bolt	•	
Key action on latch bolt	•	
Packed per 25 pieces	•	•



1749 and 1742 Series. Fire-resistant mortise multi-point locks.



1901 and 1905 Series.

Fire-resistant panic mortise locks for active leaf.

Specifications

- For European profile cylinder.
- Key action on latch bolt.
- Two-piece follower.
- Without strike plate.

Art. 1901

- Panic lock for active leaf.
- Non-handed.

Art. 1905/21

- Narrow style panic lock for active leaf.
- Handed.

Art. 1929/21

- Multi-point panic lock for active leaf.
- Handed.

In unlocked position

Latch bolt is operated from both sides by lever handle/key action.

In locked position

No operation of latch bolt from outside. Operation latch bolt from inside handle.

Art. 1901/17 is the same lock, however the forend is stainless steel.

Note

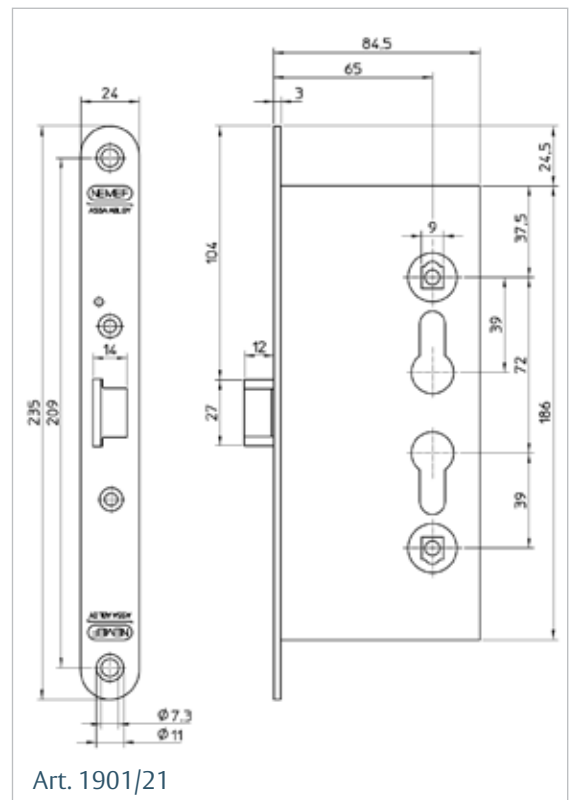
Art. 1901 certified according to EN 1125.

Accessories

See pages 28, 29, 32 and 33.



	1901/17	1901/21	1905/21	1929/21
Backset 65 mm	•	•		•
Backset 40 mm			•	
Distance 72 mm	•	•	•	•
Profile cylinder	•	•	•	•
9 mm follower	•	•	•	•
Steel, zinc-plated front plate 24 x 235 mm rounded		•		
Steel, zinc-plated front plate 24 x 350 mm rounded			•	
Stainless steel front plate 24 x 235 mm rounded	•			
Steel, zinc-plated front plate 24 x 288 mm rounded				•
Steel, zinc-plated lock case for multi-point lock				•
Steel, zinc-plated lock case	•	•	•	•
Die-cast, zinc-plated latch bolt	•	•	•	•
Key-action on latch bolt	•	•	•	
Non-handed	•	•		
Handed			•	•
Packed per 25 pieces	•	•	•	•

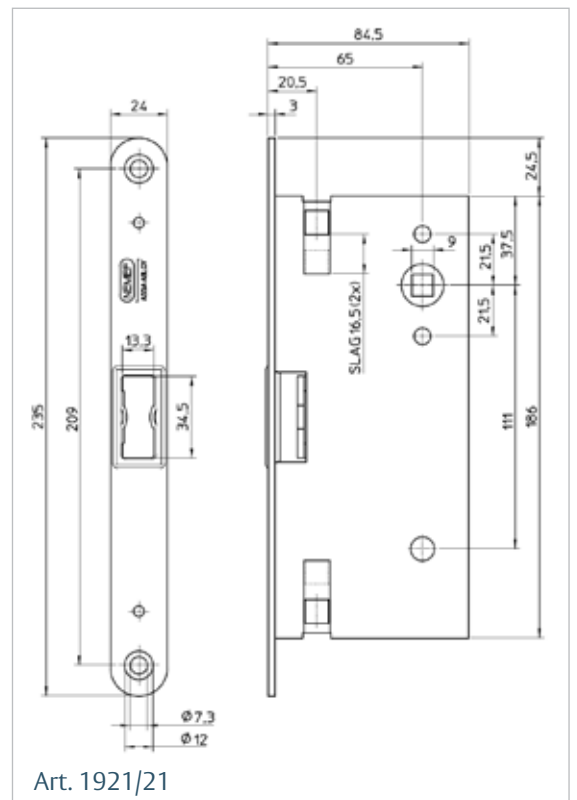


1920, 1921 and 1925 Series. Fire-resistant panic mortise locks for passive leaf.

Art. 1920/21	<ul style="list-style-type: none"> • Panic lock for passive leaf. • Handed.
Art. 1921	<ul style="list-style-type: none"> • Art. 1921/17 and /21 panic lock for passive leaf. • Non-handed.
Art. 1925	<ul style="list-style-type: none"> • Art. 1925/21 narrow style panic lock for passive leaf. • Handed.
Function	By operating the inside lever handle the upper and lower rods are retracted and the latch bolt in the active lock (Art. 1901/21 and 1905/21) pushed back, which opens both doors.
In unlocked position	The rods are held in unlocked position by the automatic relatching device. When closing the passive door, the rods are brought back in locked position automatically.
In locked position	Upper and lower rod can not be operated simultaneously.
	Do not use lever handle from outside on Art. 1920, 1921 and Art. 1925.
Accessories	See pages 28, 29, 32 and 33.



	1920/21	1921/17	1921/21	1925/21
Backset 65 mm		•	•	
Backset 40 mm				•
Backset 95 mm	•			
9 mm follower	•	•	•	•
Steel, zinc-plated front plate 24 x 235 mm rounded	•		•	
Steel, zinc-plated front plate 24 x 350 mm rounded				•
Stainless steel front plate 24 x 235 mm rounded		•		
Steel, zinc-plated lock case	•	•	•	•
Non-handed		•	•	
Handed	•			•
Packed per piece			•	
Packed per 25 pieces	•	•	•	•



3600 Series. Panic bar 'Smart'.

Horizontal panic bar

The horizontal panic bar 'Smart' is according to EN 1125 in combination with Art. 1901 and 1921 certified. It can be used with all panic locks of the Nemef 1700, 1900 and 9670/08 Series.

The main feature of the panic bar is that the door can be opened in every situation by hand or by leaning against the door. Furthermore the bar is tested for operation on fire resistant doors with panic locks.

Advantages

- Suitable for mortise locks: attractive design.
- Non-handed: reducing stock.
- Flexible program: complete range of accessories.
- Easy to apply: minimal fixing time.
- High quality in accordance with European standard.

Technical specification

- Over 200.000 hittings for test in accordance with EN 1125:2008.
- Opening power on non-loaded door: $\leq 80N$.
- Opening power on a 1000N loaded door: $\leq 220N$.
- Finger protection.
- Bar projection 100 mm.
- Neutral salt spraytest Grade 3: high resistance (96 hours EN 1670:1998).

Spindles

- Art. 3621 9 mm square spindle, 125 mm.
- Art. 3622 9 mm splitted square spindle, 55/55 mm, 65/65 mm.
- Art. 3623 9 mm splitted square spindle, 38/55 mm.
- Art. 3624 Splitted spindle 8/9 mm, 42/45 mm.
- Art. 3625 Splitted spindle 9/8 mm, 77 mm.

Aluminium bar

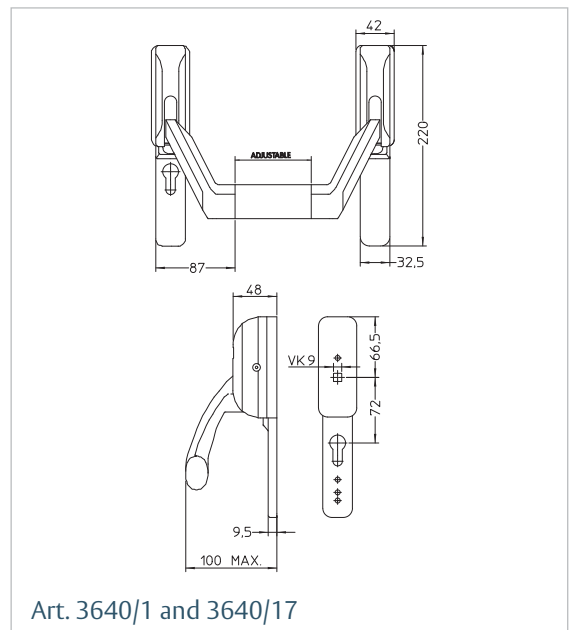
- Art. 3630/4 Aluminium rod.
- Length: 900 or 1200 mm.

Mechanism

Art. 3640/1. Black painted steel mechanical housing with plastic cover. With steel core into the handle and plate.

Application

- Door width: 350 - 1300 mm.
- Door thickness: 40 - 65 mm.
- Distance: 72 mm or 92 mm.
92 mm is suitable for Narrow style panic lock 9670/08 Serie (see page 31).
- Width: 34,5 mm.
- With or without profile cylinder holes.



3600 Series. Panic bar 'Smart'.

Stainless steel bar 'Smart'

- Art. 3630/17, Stainless steel rod.
- Length: 900 or 1200 mm.

Mechanism

Art. 3640/17. Stainless steel mechanical housing. With steel core into the handle and plate.

Application

- Door width: 350 - 1300 mm.
- Door thickness: 40 - 65 mm.
- Distance: 72 mm or 92 mm.
92 mm is suitable for Narrow style panic lock 9670/08 Serie (see page 31).
- Width: 34,5 mm.
- With or without profile cylinder holes.



Mechanism Art. 3640/17
(see Standards 3640/1)



Stainless steel rod Art. 3630/17

Rim-type

Bar

- Art. 3630/4, Aluminium rod.
- Length: 900 or 1200 mm.

Mechanism

- Art. 3645/1, black painted connecting rods.
- Art. 3650/1, black painted mechanical housing with plastic cover. With steel core into the handle and plate.

Application

- Door width: 350 - 1300 mm.
- Non-handed.
- Can only be used for double leaf doors in combination with the Smart version.



Mechanism Art. 3650/1
Standards: none



Connecting rods Art. 3645

9600 Series.

Fire-resistant narrow-style lock.

Specifications

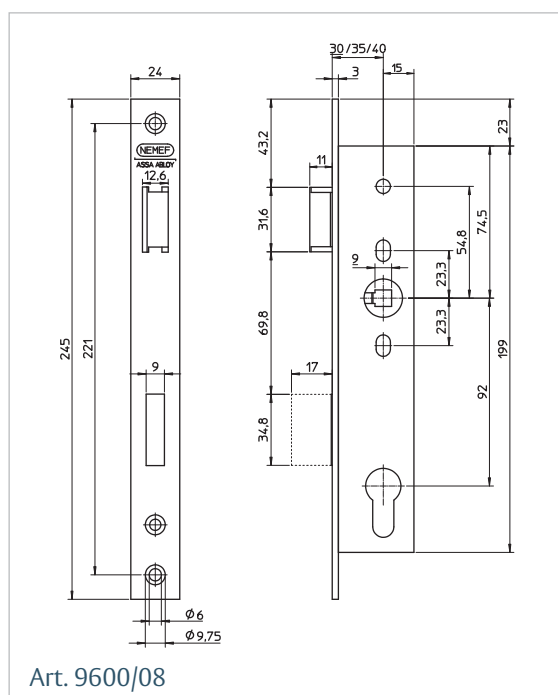
- To take profile cylinder.
- Key action on latch bolt.
- Backset 30, 35 and 40 mm.
- Distance 92 mm.
- Single throw dead bolt.
- Latch reversible.
- Follower 9 mm MPA registered.
- Without strike plate.

Accessories

Strike plate P9600/17 stainless steel (page 41).



	9600/08
Backset 30, 35 and 40 mm	•
Distance 92 mm	•
To take profile cylinder	•
Stainless steel front plate 24 x 245 mm square	•
Steel, zinc-plated lock case	•
Key action on latch bolt	•
Single throw	•
9 mm follower MPA registered	•
Packed per piece	•



9670 Series.

Fire-resistant narrow-style panic lock.

Specifications

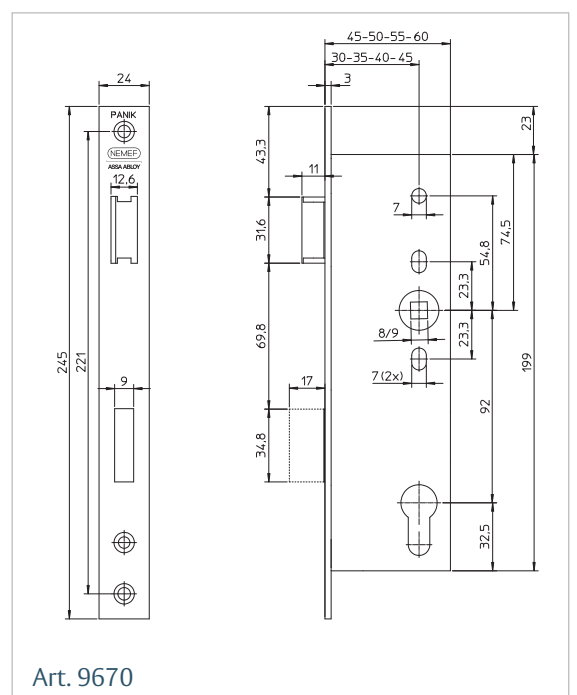
- To take profile cylinder.
- Key action on latch bolt.
- Backset 30, 35, 40 and 45 mm.
- Distance 92 mm.
- Single throw dead bolt.
- One-piece follower, latch reversible.
- Two-piece follower, handed.
- Follower 8 or 9 mm.
- Follower 9 mm MPA registered.
- Without strike plate.

Accessories

Strike plate P9600/17 stainless steel (page 41).



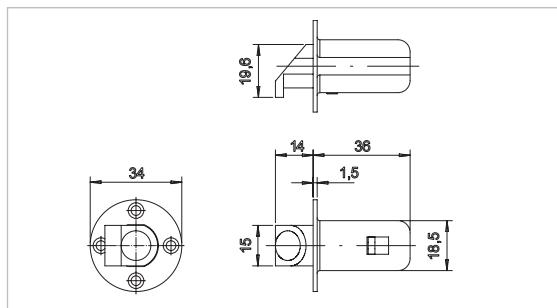
	9670/08
Backset 30, 35, 40 and 45 mm	•
Distance 92 mm	•
To take profile cylinder	•
Stainless steel front plate 24 x 245 mm square	•
Steel, zinc-plated lock case	•
Key action on latch bolt	•
Single throw	•
Panic one-piece follower, E	•
Panic two-piece follower, D	•
Packed per piece	•



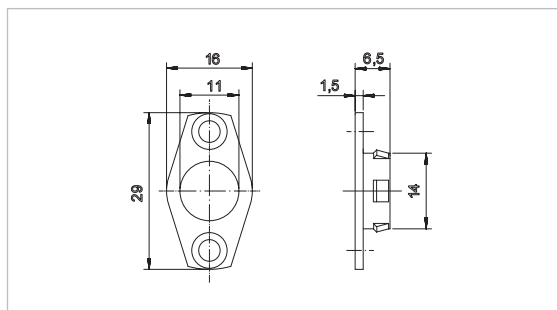
Accessories

1900 and 3600 Series.

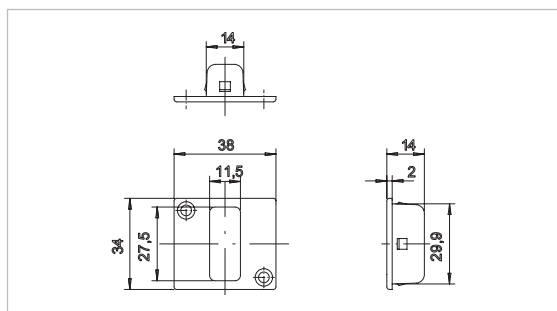
Art. 1935
Automatic
relatching device



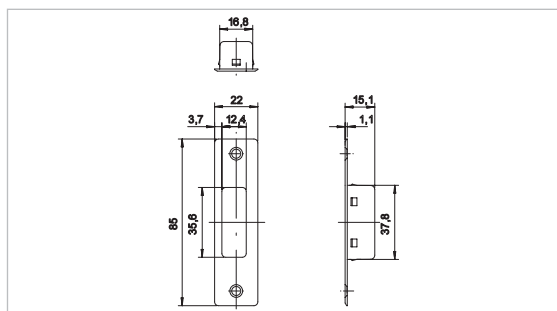
Art. 1936
Rod hasp bottom



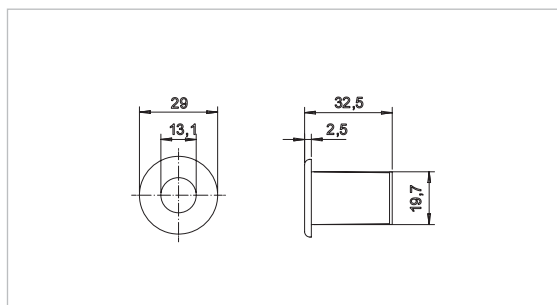
Art. 1937
Rod hasp top



Art. 1938
Strike plate for
Art. 1901



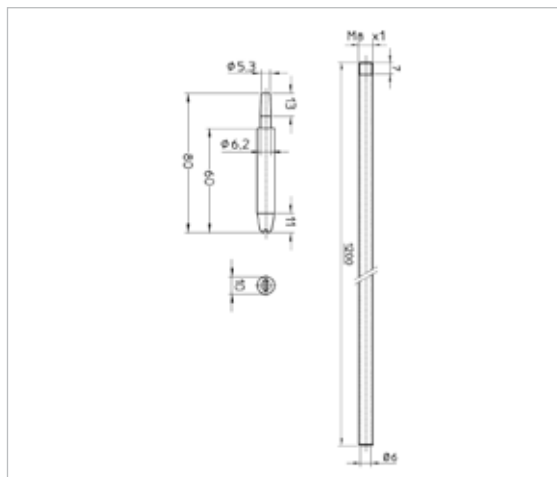
Art. 1939
Floor strike cup



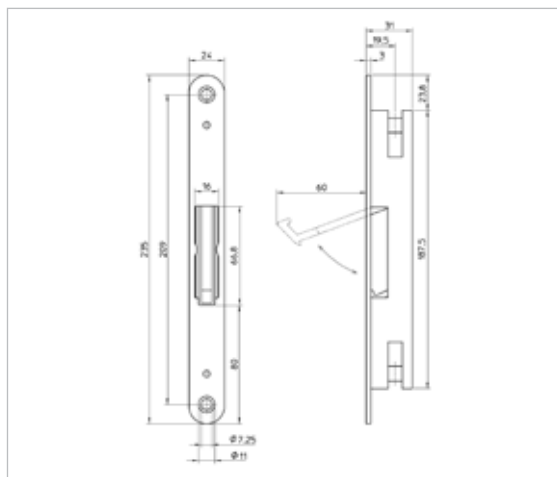
Accessories

1900 and 3600 Series.

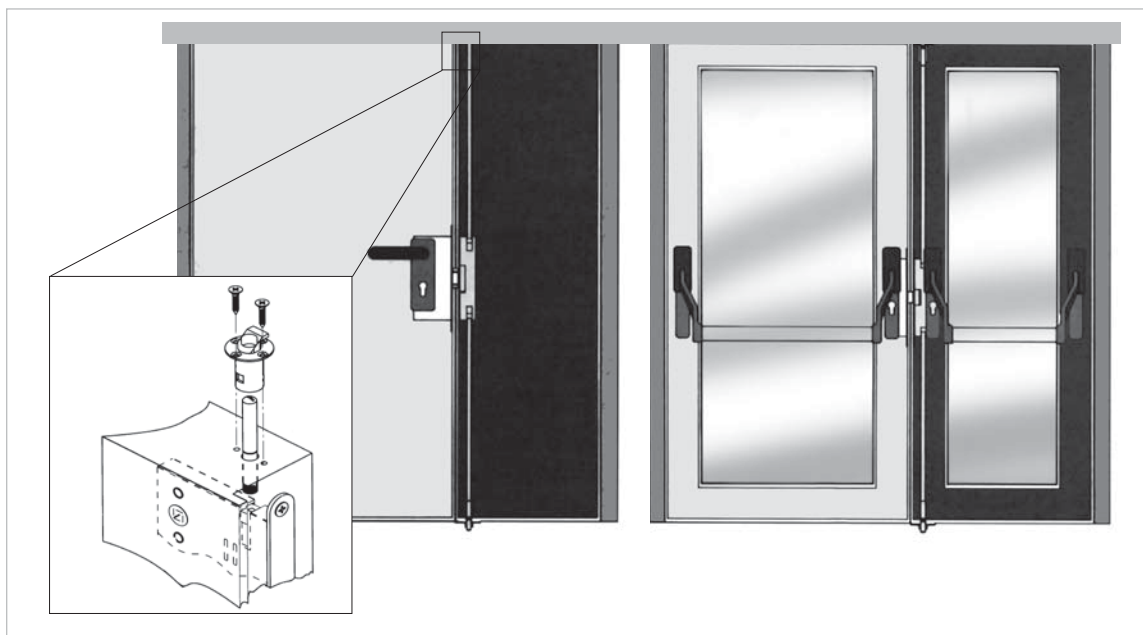
Art. 1932
Zinc-plated rods with
two closing bolts
Length: 1200 mm



Art. 1995
Flush bolt to be used
for passive door and to
combine with Art. 1932



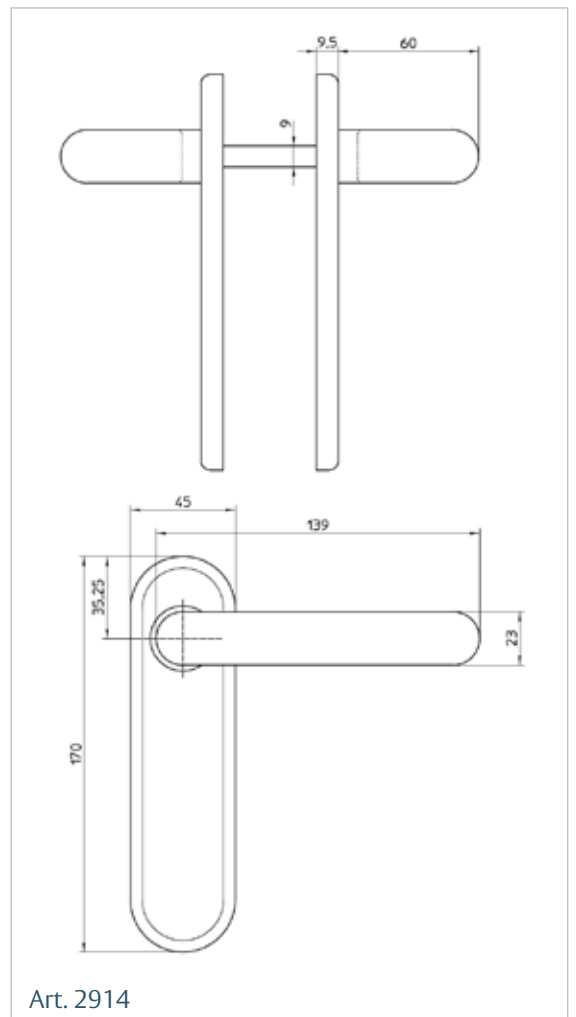
Example use of
Art. 1932 and 1935



2914 Series. Fire-resistant door handle.

Art. 2914

- Back plate: Steel.
- Cover plate: Plastic, black or aluminium look.
- Handle: Plastic, black or aluminium look, fixed to plate.
- Square spindle: 9 mm.
- Door width: 40 - 63 mm.
- Art. 2914/02: Lever/lever blind mat black.
- Art. 2914/12: Lever/lever blind aluminium look.



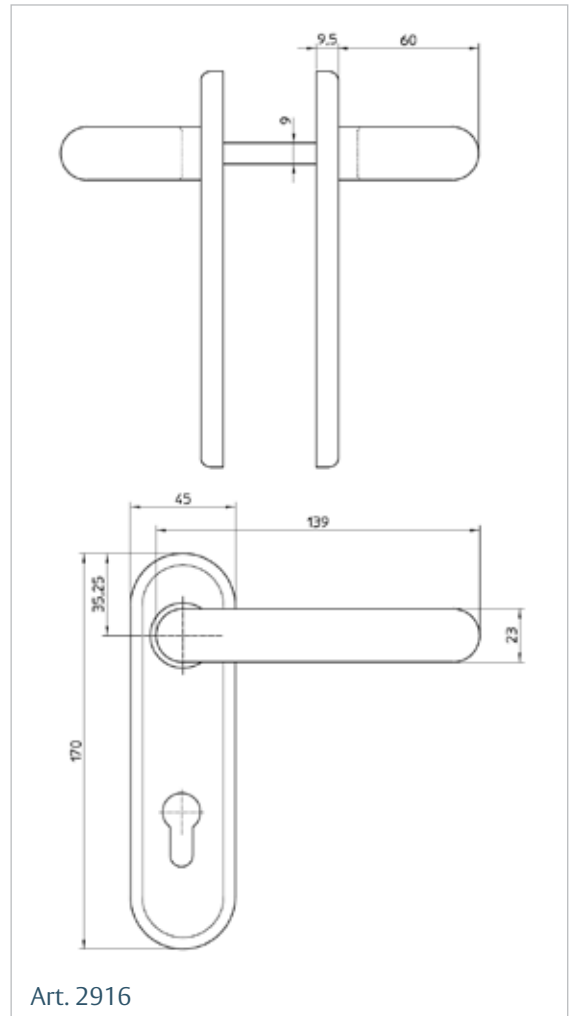
2916 Series.

Fire-resistant door handle.

Art. 2916

- Back plate: Steel.
- Cover plate: Plastic, black, grey, white, aluminium look or stainless steel.
- Handle: Plastic, black, grey, white, aluminium look and stainless steel, fixed to plate.
- Square spindle: 9 mm.
- Door width: 40 - 63 mm.
- Distance: 72 mm.
- Art. 2916/02: Lever/lever black.
- Art. 2916/05: Lever/lever grey.
- Art. 2916/07: Lever/lever white.
- Art. 916/12: Lever/lever aluminium look.
- Art. 2916/13: Lever/lever stainless steel.

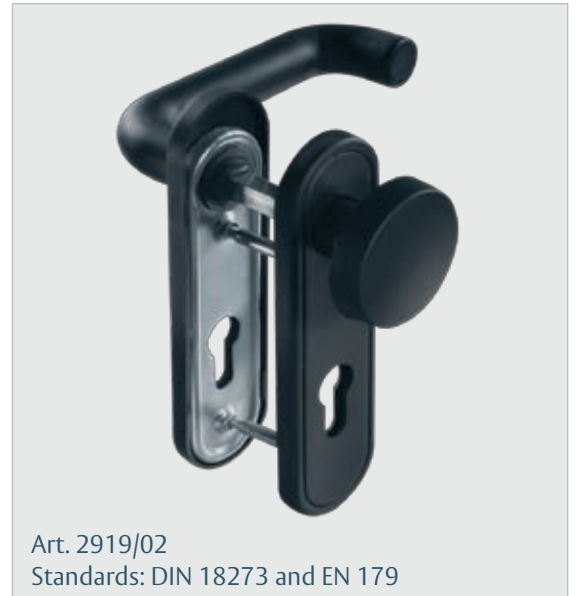
Also available in non fire-rated execution (without steel plate), Art. 2959/02 (page 38).



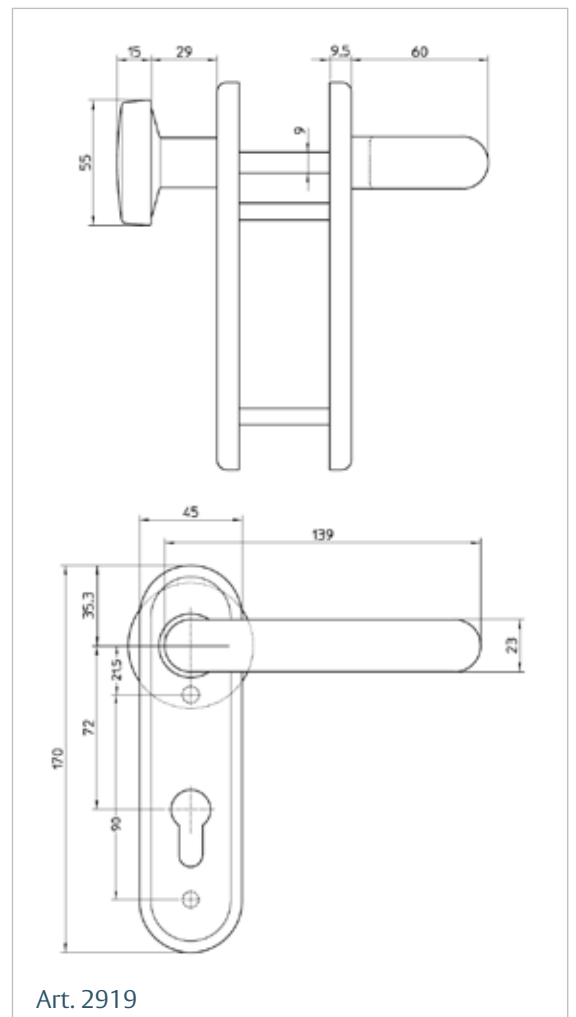
2919 Series lever/knob panic handle. Fire-resistant door handle.

Knob-lever doorhandle
Art. 2919

- Back plate: Steel.
- Cover plate: Plastic, black, grey, aluminium look or stainless steel.
- Handle: Plastic, fixed to plate, grey, aluminium look and stainless steel.
- Square spindle: 9 mm.
- Door width: 40 - 63 mm.
- Distance: 72 mm.
- Art. 2919/02: Lever/knob black.
- Art. 2919/05: Lever/knob grey.
- Art. 2919/12: Lever/knob aluminium look.
- Art. 2919/13: Lever/knob stainless steel.



Art. 2919/02
Standards: DIN 18273 and EN 179

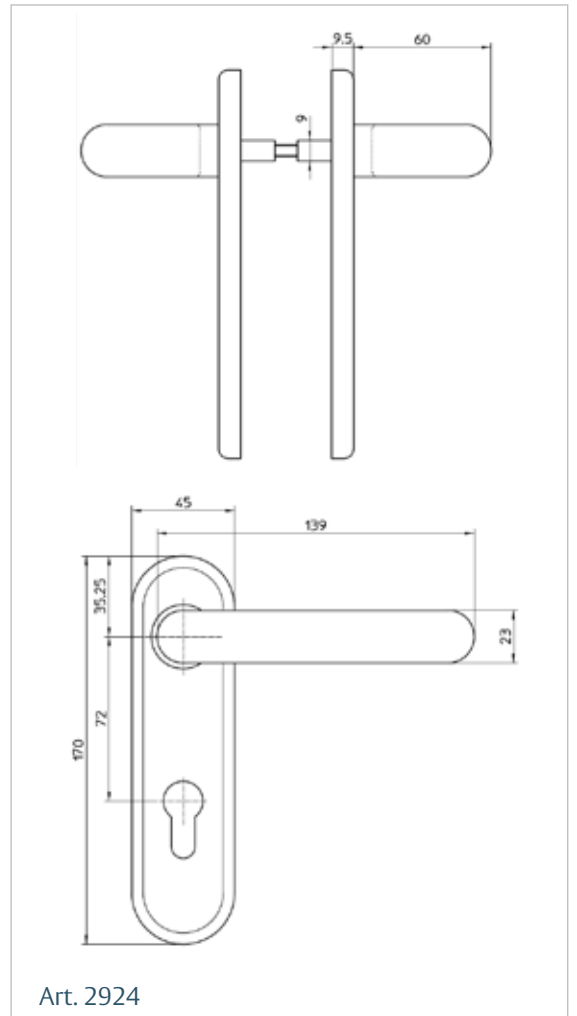
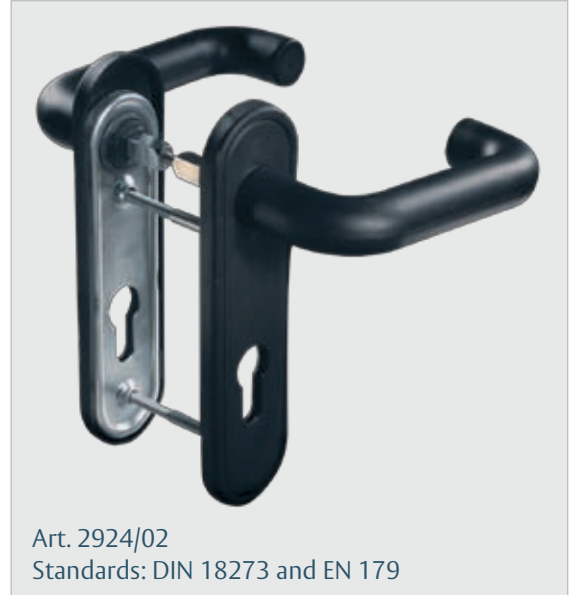


Art. 2919

2924 Series lever/lever panic handle. Fire-resistant door handle.

Lever handle
panic furniture
Art. 2924

- Back plate: Steel.
- Cover plate: Plastic, black.
- Handle: Plastic, black, fixed to plate.
- Square spindle: 9 mm splitted.
- Door width: 40 - 63 mm.
- Distance: 72 mm.
- Art. 2924/02: Lever/lever black.

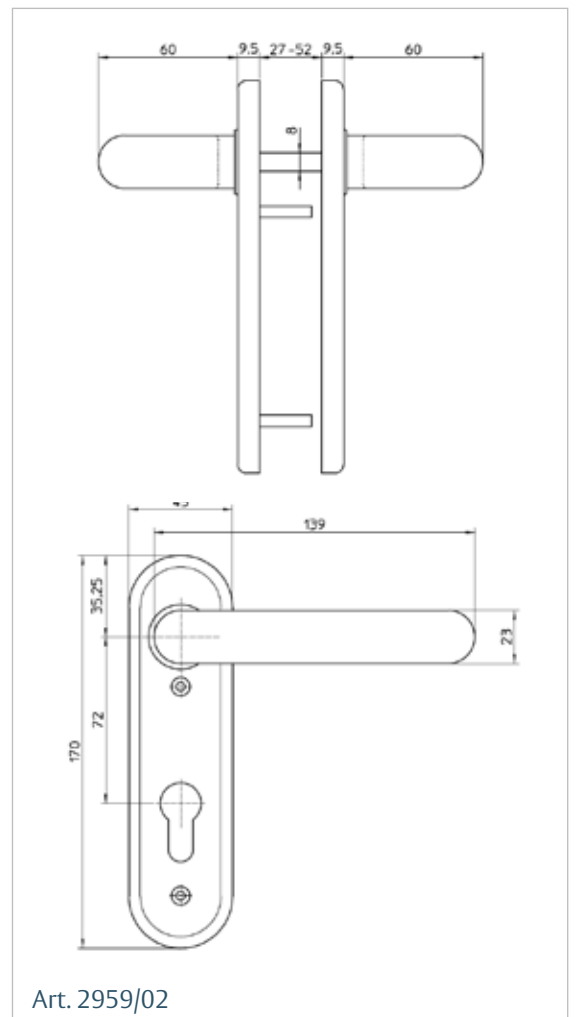


2959 Series.

Non fire-resistant door handle.

Art. 2959/02
(non fire-resistant)

- Plate: Black plastic.
- Handle: Black plastic.
- Square spindle: 8 mm.
- Door width: 40 - 63 mm.
- Distance: 72 mm.
- Art. 2959/02: Lever/lever black.



1012 Series.

Fire-resistant door hinges.

Art. 1012/02

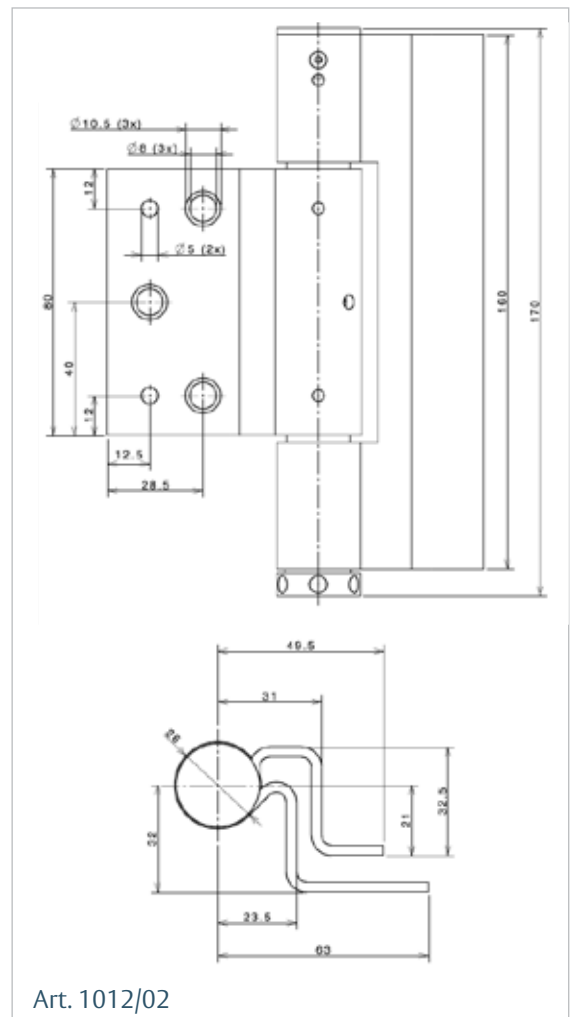
Fire-resistant door hinges. Zinc-plated finish.

Set consisting of:

- One spring hinge.
- One non-spring hinge.
- Fixing pin.
- Fixing screw.



Art. 1012/02
Standards: EN 1935



Art. 1012/02

Fire resistant plates.



Art. 2930/02 black 72 mm
Standards: none



Art. 2931/02 black 72 mm
Standards: none



Art. 2932/02 black
Standards: none



Art. 2933/02 black
Standards: none



Art. 2934/02 black
Standards: none



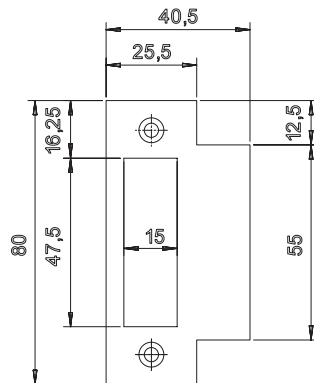
Art. 2935/02 black
Standards: none



Art. 2936/02 black
Standards: none

Strike plates*

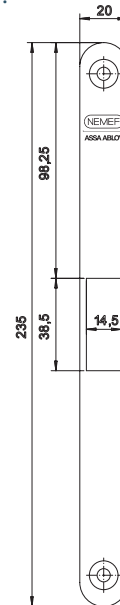
Strike plates 1730 series
For the 1730 and 1901 series the following strike plates can be used:



Art. P 1739/12, steel zinc-plated, non-handed

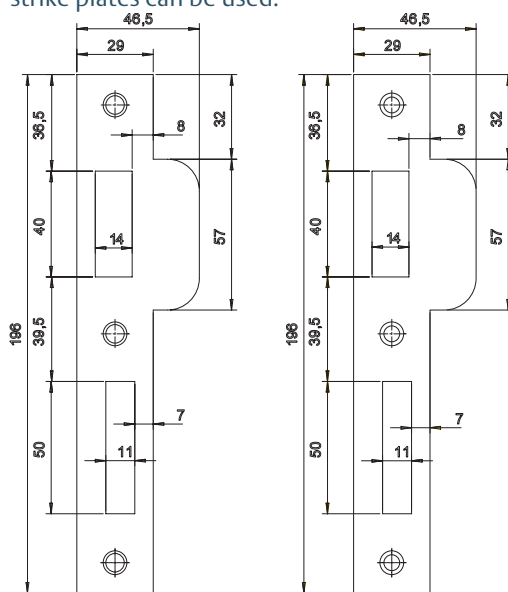
Art. P 1739/17, stainless steel, non-handed

Strike plate 1759 Series
For the 1759 series the following strike plate can be used:



Art. P 1759/02, steel zinc-plated, non-handed

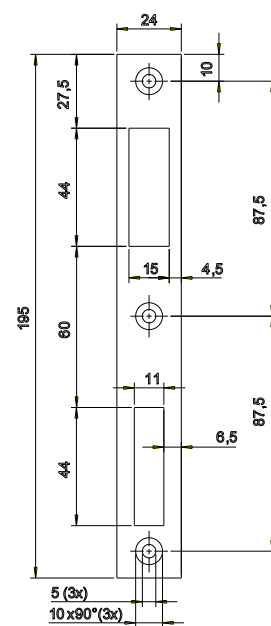
Strike plates 1760 Series
For the 1760 and 1740 series the following strike plates can be used:



Art. P 1769/66, steel zinc-plated, non-handed

Art. P 1769/17, stainless steel, handed

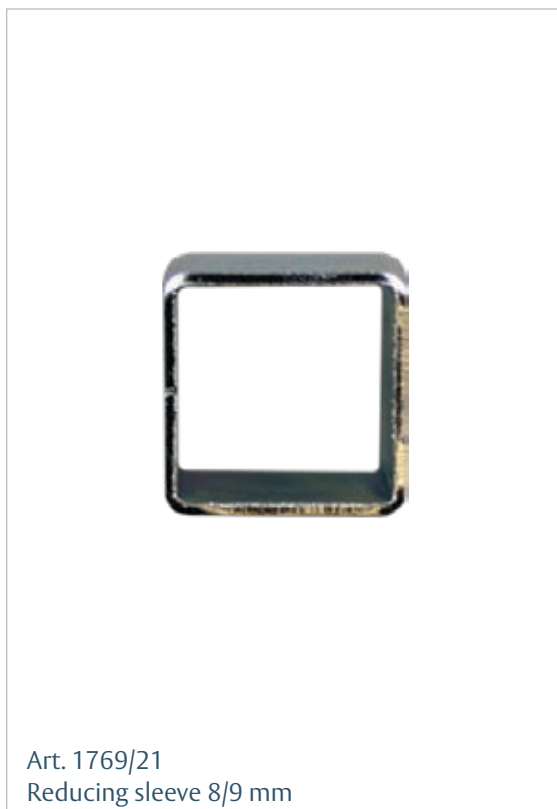
Strike plate 9600 Series
For the 9600 Series



Art. P 9600/17 Stainless steel, non-handed

* Standards: for strike plates are no standards.

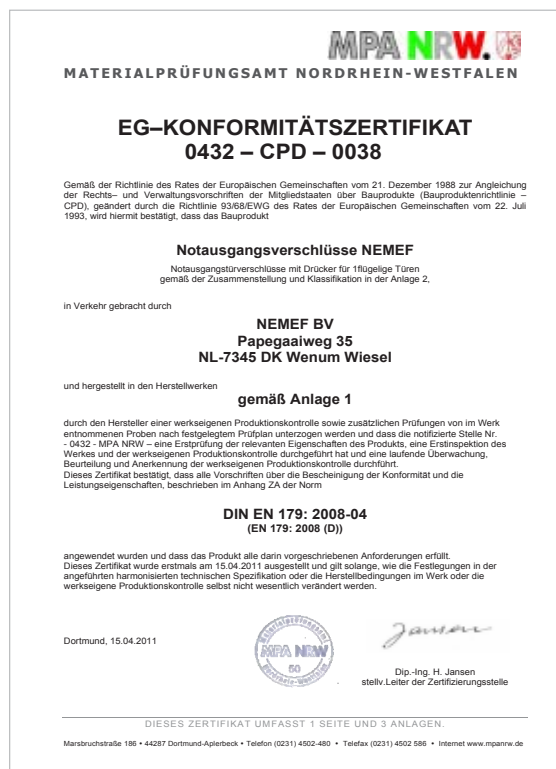
Accessories.



Certificates*

ISO 9001, EN 179 and EN 1125.

If you require more information about the certificates or the combination of different locks with panic exit devices, please contact us.



* Certificates can be downloaded from our website www.nemef.com.

ASSA ABLOY is the global leader in door opening solutions, dedicated to satisfying end-user needs for security, safety and convenience.



ASSA ABLOY

ASSA ABLOY Nederland B.V.
Business Unit Nemef
P.O. Box 13
7300 AA Apeldoorn
The Netherlands
Tel. +31 55 3128400
Fax +31 55 3128406
export@nemef.nl
www.nemef.com